

**Job Name:** \_\_\_\_\_  
**Location:** \_\_\_\_\_  
**Engineer:** \_\_\_\_\_  
**Submitted to:** \_\_\_\_\_  
**Submitted by:** \_\_\_\_\_  
**Reference:** \_\_\_\_\_

**Date:** \_\_\_\_\_  
**Approval:** \_\_\_\_\_  
**Construction:** \_\_\_\_\_  
**Unit #:** \_\_\_\_\_  
**Drawing #:** \_\_\_\_\_

### KEY FEATURES:

- Can be installed up to 2' from the ceiling
- E-Box and PCB located in the front of the unit with a cover kickstand providing easy access
- Revolutionary design offers convenient disassembly & maintenance with an easy-to-remove blower wheel
- Larger air inlet/outlet for improved air flow
- Auto-Swing for vertical and horizontal louvers
- Easy to remove magnetic filter on top
- Compatible with regular (-13°F) or Hyper (-22°F) outdoor units

### NOTES:

\_\_\_\_\_  
 \_\_\_\_\_  
 \_\_\_\_\_  
 \_\_\_\_\_  
 \_\_\_\_\_



**ASTORIA**

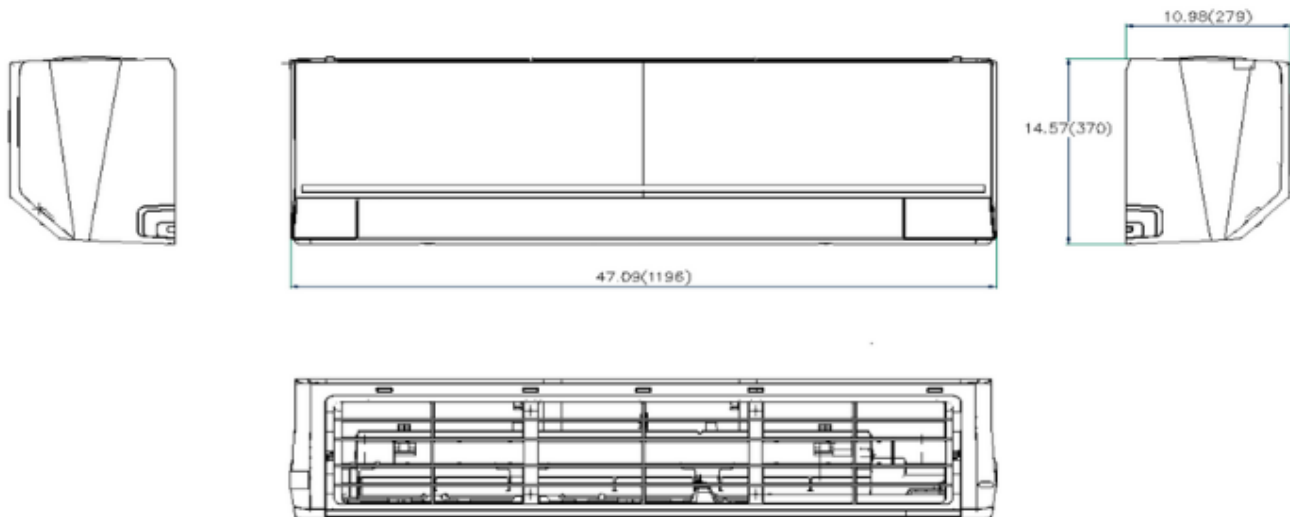


Indoor Model			CH-24MASTWM-230VI
Power supply		V, Ph, Hz	208-230V, 1Ph, 60Hz
Communication wiring			14AWG*4
Cooling	Capacity	Btu/h	24,000(6,850~27,000)
	Input	w	1,845(310~2,400)
	Rated current	A	8.1(2.12~11)
	EER/EER2	Btu/w	13
	SEER/SEER2	Btu/w	21.5
Heating at 47 °F	Capacity	Btu/h	29,000(11,600~33,000)
	Input	W	2,500(670~3,000)
	Rated current	A	10.9(4.32~13)
	COP	W/W	3.4
	HSPF4/HSPF2-4		11.4
	HSPF5/HSPF2-5		9.2
Indoor fan motor		Qty	1
		Input	58
		RLA	0.5
Indoor air flow (Turbo/Hi/Med/Lo) (No duct)		CFM	718.82/611.18/414.12/318.82
ESP (range)		In.wg.	
Indoor noise level (Hi/Med/Lo)		dB(A)	46/39/34
Dehumidification		L/H	5.49
Indoor unit	Dimensions (WxDxH)	inch	47.09x10.98x14.57
	Packing (WxDxH)	inch	50.39x14.17x17.91
	Net/Gross weight	lbs	43.65/54.89
Drainage water pipe diameter		inch	5/8"
Refrigerant piping (Liquid side/Gas side)		inch	3/8"/5/8"
Design pressure		PSIG	550/340
Controller			RG10K-exclusive remote
Room temperature	Cooling	F	60~90
	Heating	F	32~86

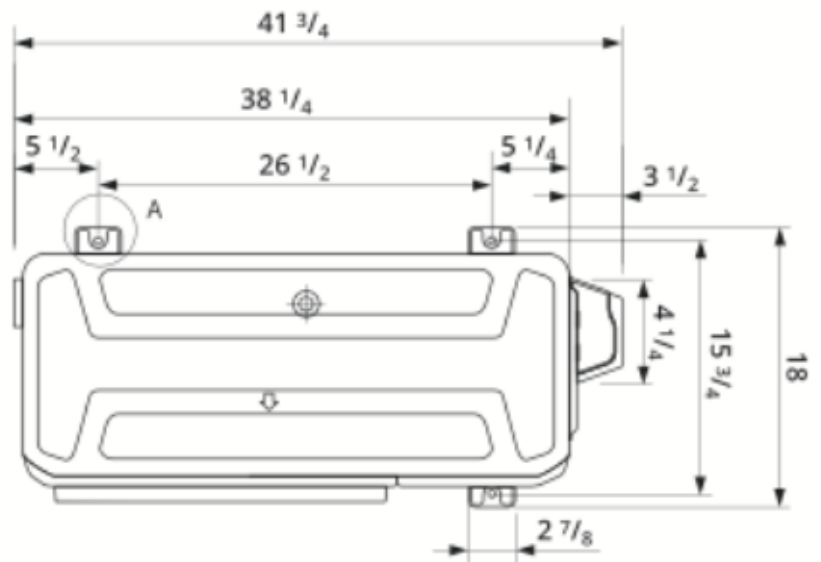
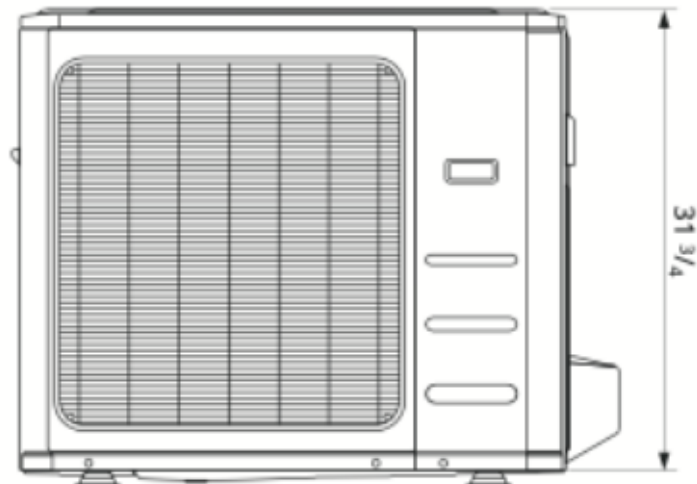
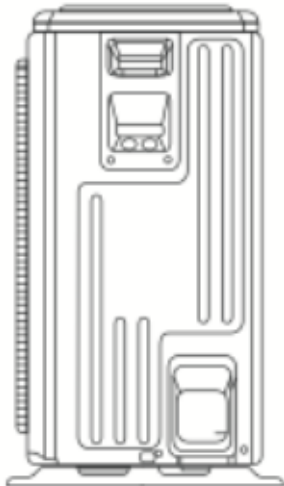
Outdoor Model			CH-HPR24-230VO
Power supply		V, Ph, Hz	208-230V, 1Ph, 60Hz
Min. circuit ampacity		A	25
Max. fuse		A	35
Compressor	Model		KTM240D43UKT
	Type		Twin-ROTARY
	Brand		GMCC
	Capacity	Btu/h	25,930
	Input	w	2,045
	Rated current (RLA)	A	17.1
	Refrigerant oil	oz	VG74 21
Outdoor fan motor	Qty		1
	Input	w	150
	RLA	A	0.5
	Speed	r/min	950/800/500
Outdoor air flow (Max)		CFM	2,235.29
Outdoor noise level (Max)		dB(A)	62
Throttle type			EXV+Throttle valve
Outdoor unit	Dimensions (WxDxH)	inch	37.24x16.14x31.89
	Packing (WxDxH)	inch	42.91x19.69x34.84
	Net/Gross weight	inch	134.48/144.40
Refrigerant	Type		R410A
	Precharge	ft	25
Additional charge for 1/4 inch liquid pipe		oz	
Additional charge for 3/8 inch liquid pipe		oz	0.32
Refrigerant piping	Liquid side/Gas side	inch	3/8"/5/8"
	Max. pipe length	ft	164.04
	Max. difference in level	ft	82.02
Ambient temperature	Cooling	F	-22~122
	Heating	F	-22~75



Units: in (mm)



**Dimension (WxDxH)**  
**47.09x10.98x14.57**



**DETAIL A  
SCALE 1:1**

