

**Job Name:** \_\_\_\_\_  
**Location:** \_\_\_\_\_  
**Engineer:** \_\_\_\_\_  
**Submitted to:** \_\_\_\_\_  
**Submitted by:** \_\_\_\_\_  
**Reference:** \_\_\_\_\_

**Date:** \_\_\_\_\_  
**Approval:** \_\_\_\_\_  
**Construction:** \_\_\_\_\_  
**Unit #:** \_\_\_\_\_  
**Drawing #:** \_\_\_\_\_

## CEILING CASSETTE



### KEY FEATURES:

- Two-way Draining Connection
- Activated Carbon Filter
- GoldFin Anti-Corrosive Coating
- Omni-Directional Airflow
- 12 Indoor Fan Speeds
- Refrigerant Leakage Detection
- Self Diagnosis Function
- Fresh Air Intake

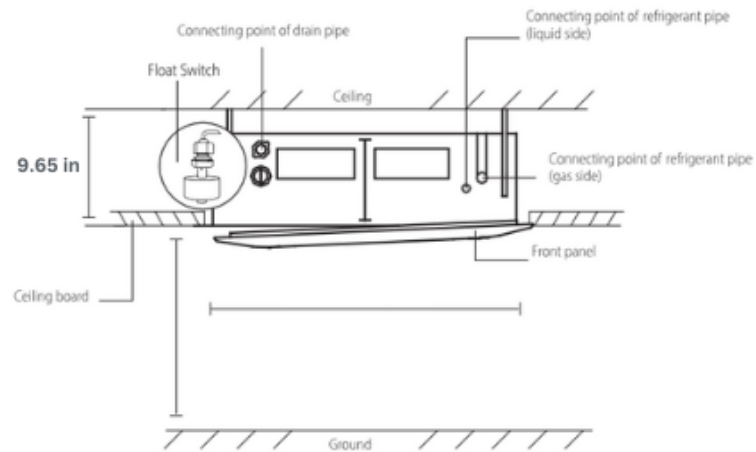
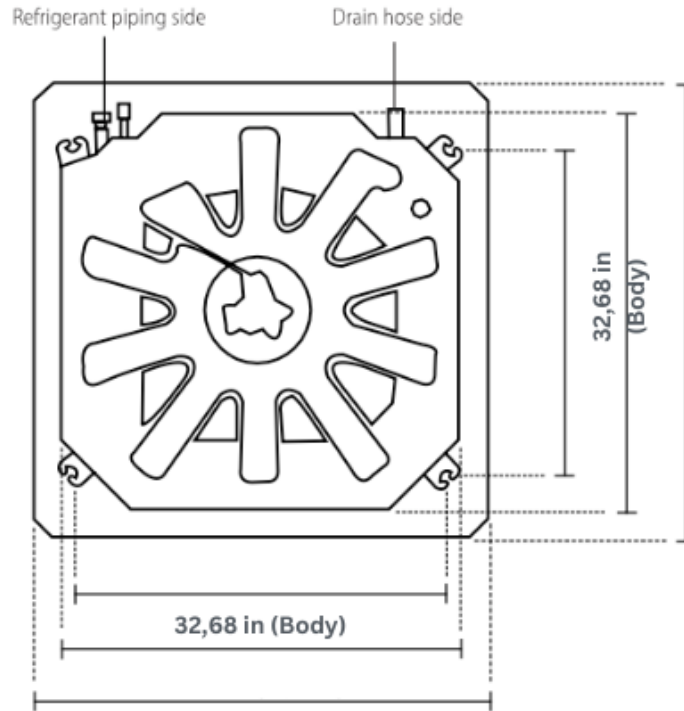


### SPECIFICATIONS:

Indoor Model			CH-N24MSPHCT-230VI
Power Supply	Rated	V, Ph, Hz	208-230V, 1Ph, 60Hz
Cooling	Rated Capacity	Btu/h	24,000
Heating	Rated Capacity	Btu/h	25,000
Minimum Circuit Ampacity (MCA)		A	2.5
Max. Fuse		A	15
Indoor Air Flow (Hi/Mi/Lo)		CFM	764.71/705.88/635.29/547.06
Indoor Noise Level (Hi/Mi/Lo)		dB(A)	49/46/43
External static pressure (SlimDuct/AHU only)		in. WG	
Drainage water pipe diameter		inch	1"
Diameter of refrigerant pipe (Liquid/Gas Side)		Inch	3/8" - 5/8"
Dehumidification		Pnt/H	5.18
Communication wiring			14AWG*4
Indoor	Dimension (W×D×H)	inch	32.68x32.68x8.07
	Packing (W×D×H)	inch	35.83x35.83x9.84
	Net/Gross Weight	lbs.	47.18/55.34

**CH-N24MSPHCT-230VI**

**CEILING CASSETTE**



**32.68x32.68x9.65**