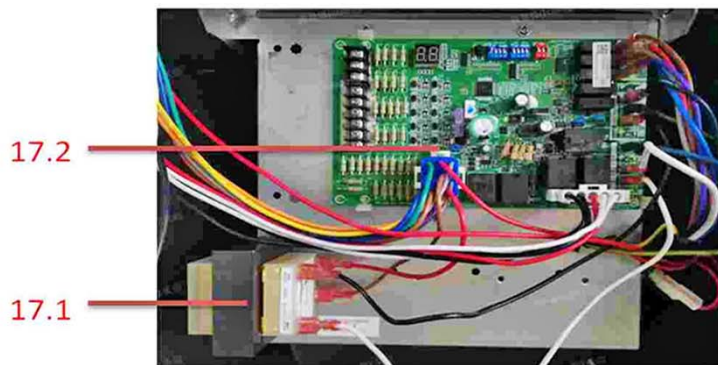
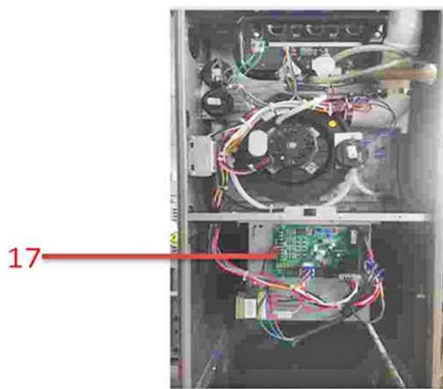
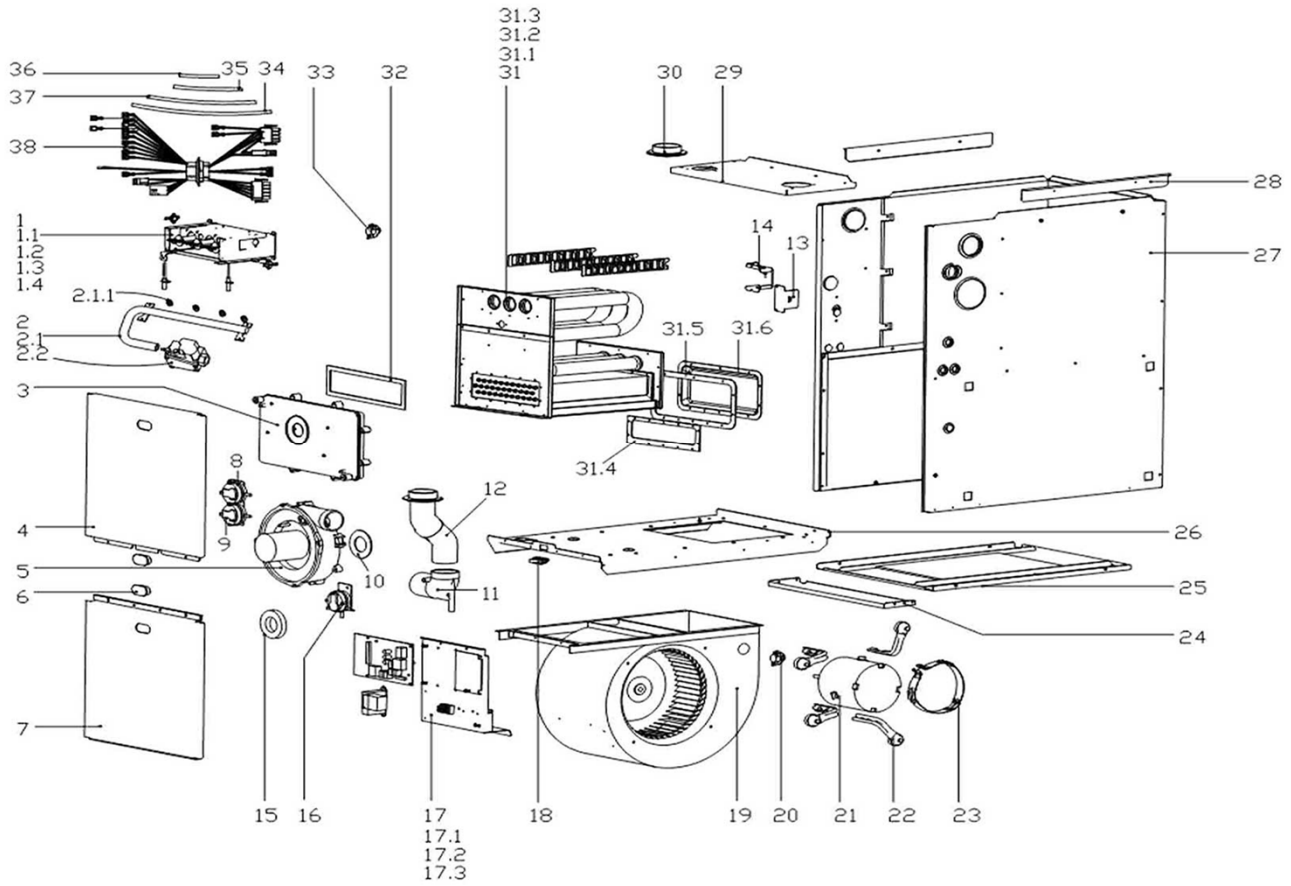


Code: 22027610000103  
 Model: MGH96M060B3B  
 Brand: MIDEA  
 Order: 62276-Q4542304



EX_ID	Part Code	Part Name(En)	Part Name(Local)	Part Description(En)	QTY
1	12227600001408	Burner Assembly	Combustor assembly	Combustor assembly MGH96M060B3B_3	1.00
1.1	17400513000045	Thermostat	Thermostat	Thermostat WKO-300F	2.00
1.2	17427600000007	Lgnition Needle	Firing pin	Firing pin DHZ-ACI1000-18	1.00
1.3	11201006000010	Special Sensor	Special sensor	Special sensor CGQ-TS-PSE- HM/11	1.00
1.4	17427600000004	Burner	Combustor	Combustor RSO-11010	3.00
2	15427600000065	Gas Pipe Assembly	Gas pipe assembly	Gas pipe assembly MGH96M060B3B_4	1.00
2.1	15427600000007	Gas Pipe Assembly	Gas pipe assembly	Gas pipe assembly MGH96M060B3B_4-1-ROHS	1.00
2.1.1	15527600000001	Copper Nozzle	Copper nozzle	Copper nozzle TPZ-45 RoHS	3.00
2.2	17427600001389	Gas Valve	Gas Valve	Gas valve TGV654-216 REACH RoHS	1.00

3	1212760000018	Drainage Pan Assembly	Drain box weld assembly	Drain box weld assembly	MCH93M060B3A-8 RoH	1.00
4	12227600000171	Upper cover assembly	Upper cover assembly	Upper cover assembly	MCH93M060B3A-6 RoH	1.00
5	17400801002944	Combustion Blower Anc Motor Assembly	Exhaust fan components	Exhaust fan components	PVE-1070-5A-5531	1.00
6	12127600000009	Transparent Plastic Cover	Plastic cover	Plastic cover	MCS80M050A3A-16 RoH	2.00
7	12227600000163	Bottom cover assembly	Bottom cover assembly	Bottom cover assembly	MCH93M060B3A-7 RoH	1.00
8	17400515000422	Air Differential Pressure Switch	Air switch	Air switch PW-13(1.1 W C)		1.00
9	17400515000421	Air Differential Pressure Switch	Air switch	Air switch PW-12(0.55 W C)		1.00
10	12427600000049	Sealing Ring	Smoke exhaust fan gasket	Smoke exhaust fan gasket	MGH93M060B3A-2 RoH	1.00
11	12127600000015	Smoke Exhaust Elbow	Smoke exhaust elbow	Smoke exhaust elbow		1.00
12	12127600000016	Smoke Exhaust Pipe Join Assembly	Smoke exhaust pipe join assembly	Smoke exhaust pipe join assembly	MCH93M060B3A-19 RoH	1.00
13	12227600000817	Junction Box Cover	Junction box cover	Junction box cover	MCH93M060B3A-14	1.00
14	12227600000818	Junction Box	Junction box	Junction box	MCH93M060B3A-15	1.00
15	12127600000365	Smoke Vent Buckle	Smoke vent buckle	Smoke vent buckle	MCH93M060B3A-7(SV)	1.00
16	17400515000420	Air Differential Pressure Switch	Air switch	Air switch PW-11(0.25 W C)		1.00
17	17227600000941	Electrical Control Box Assembly	E-part box assembly	E-part box assembly	MCH93M060B3A-11	1.00
17.1	11203103000197	Linear Transformer	Linear Transformer	Linear Transformer 1111U	E166-24167-E1 RoH	1.00
17.2	17127600000708	Surface-Mount Components Assembly Of Main Control	The-m assembly of main control board	The-m assembly of main control board		1.00
18	17427600001148	Door Switch	Door switch	Door switch MKG-02		1.00
20	17400513000874	Thermostat	Thermostat	Thermostat WKQ-100/B5F		2.00
21	11002015011986	Brushless DC Motor	Brushless DC Motor	Brushless DC Motor ZKSD	500-8-50 BEACH RoH	1.00
22	12227600000245	Motor Holder Assembly	Motor bracket ass'y I	Motor bracket ass'y I	MCH93M060B3A-11 RoH	4.00
23	12223000001993	Motor Holder	Motor bracket II	Motor bracket II UL		1.00
24	12227600000265	Bottom supporting board	Bottom supporting board	Bottom supporting board	MF 9001X-2 RoH	1.00
25	12227600000849	Blockoff Plate Assembly	Base sealplate assembly	Base sealplate assembly	MCH93M060B3A-21 RoH	1.00
26	12227600000222	Partition Plate Assembly	Partition board assembly	Partition board assembly	BEACH RoH5	1.00
27	12227600000842	Cabinet Assembly	Cabinet assembly	Cabinet assembly	MCH93M060B3A-5	1.00
28	12227600000274	Support Bar Assembly	Supporting bar assembly	Supporting bar assembly	MCH93M060B3A-1	2.00
29	12227600000169	Cover Assembly	Front cover assembly	Front cover assembly	MCH93M060B3A-10 RoH	1.00
30	12127600000010	Connector	Air inlet pipe joint	Air inlet pipe joint	MCH93M060B3A-16 RoH	1.00
31	15727600000080	Tube Components	Heat exchanger assembly	Heat exchanger assembly	MCH93M060B3A-2	1.00
31.1	15727600000009	Tube Components	Primary heat exchanger assembly	Primary heat exchanger assembly	MCH93M060B3A-2	1.00
31.2	15827600000032	Secondary Heat Exchanger Assembly	secondary heat exchanger assembly	secondary heat exchanger assembly	MCH93M060B3A-23	1.00
31.3	12227600000059	Spoiler	Spoiler	Spoiler MCH93M060B3A-24	RoH5	3.00
31.4	12427600000022	Glass Wool Pad	Heat exchanger gasket	Heat exchanger gasket	MCH93M060B3A-22 RoH	1.00
31.5	12427600000027	Glass Wool Gasket	Gas-collecting cover gasket	Gas-collecting cover gasket	MCH93M060B3A-23 RoH	1.00
31.6	12227600000234	Gas Collecting Cover	Back gas-collecting cover	Back gas-collecting cover	MCH93M060B3A-24 RoH	1.00
32	12427600000035	Drain Pan Gasket	Drain pan gasket	Drain pan gasket	MCH93M060B3A-1 RoH	1.00
33	17400513001114	Thermostat	Thermostat	Thermostat WKQ-150/120F		1.00
34	12627600000005	Silicone Tube	Silicone tube	Silicone tube	MCH93M060B3A-33 RoH	1.00
35	12627600000006	Silicone Tube	Silicone tube	Silicone tube	MCH93M060B3A-32 RoH	2.00
36	12627600000007	Silicone Tube	Silicone tube	Silicone tube	MCH93M060B3A-30 RoH	1.00
37	12627600000009	Silicone Tube	Silicone tube	Silicone tube	MCH93M060B3A-31 RoH	1.00
38	17401203016840	Strong Electric Cable Group	Strong electric cable group	Strong electric cable group	MCS96M1210D5A D	1.00