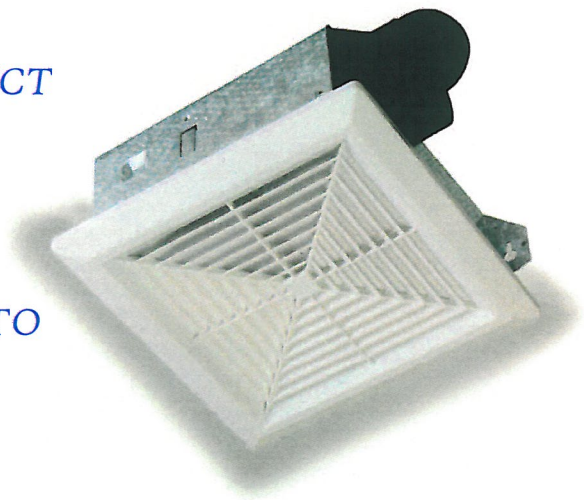


# AIR-O<sup>®</sup> BATH FAN

- *EFFICIENT AND ECONOMICAL*
- *EXTENDED DUCT COLLAR MAKES DUCT CONNECTION QUICK*
- *SPRING MOUNTED WHITE GRILLE MATCHES ANY DECOR*
- *MOTOR ASSEMBLY EASILY SNAPS INTO HOUSING*
- *AVAILABLE IN SINGLE PACKS AND MULTIPLE BUILDER PACKS*



MODELS: 658, 678

The models 658/678 are quiet but effective exhaust fans. Each fan is equipped with a permanently lubricated motor, which provides quiet, maintenance-free operation. Equipped with radial impeller and back-draft damper to provide maximum air movement, the 658/678 easily ventilates standard sized bathrooms. The white molded grille installs easily, and coordinates with any color scheme.



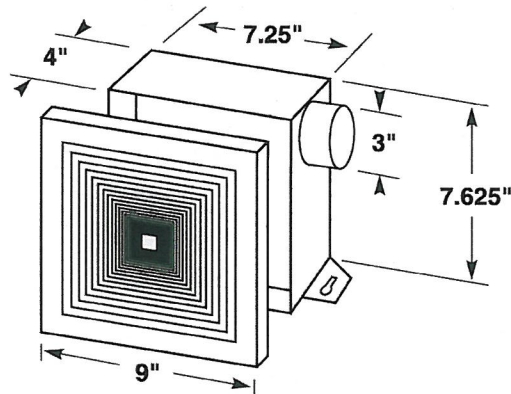
**UNIVERSAL  
METAL  
INDUSTRIES, INC.**

**KITCHEN & BATH VENTILATION**

800 West Grant Street • Phoenix, Arizona 85007  
800.875.3654 Toll Free  
602.251.3654 Phone • 602.251.3889 Fax  
[www.umiphx.com](http://www.umiphx.com)

# BATH FAN

MODELS: 658, 678



## TECHNICAL

MODEL	BATH SIZE	DUCT SIZE	AMPS	AIR DELIVERY	SONES
658	45 Sq. Ft.	3" Round	0.90	50 CFM	3.5
678	65 Sq. Ft.	3" Round	1.40	70 CFM	6.0

## INSTALLATION INSTRUCTIONS

1. Use pre-punched holes in Joist Attachment Tab for nailing to side of ceiling joist.
2. Install with Dry Wall Guide against bottom of ceiling joist to properly align housing for ceiling dry wall installation.
3. Connect the wiring and ductwork observing local building codes.
4. Attach the self-adjusting molded grille with standard style wire clips (supplied), by squeezing the clips and inserting through the slots in the fan housing.

For more information please contact your dealer or your Air-O® representative.



**UNIVERSAL  
METAL  
INDUSTRIES, INC.**

**KITCHEN & BATH VENTILATION**



Since 1950

800 West Grant Street • Phoenix, Arizona 85007

800.875.3654 Toll Free

602.251.3654 Phone • 602.251.3889 Fax

www.umiphx.com

# AIR-O®