



Delta BreezSlim Perfectly quiet. Perfectly green.

Delta BreezSlim G1 Series

SLM50*	50 CFM Single Speed
SLM70	70 CFM Single Speed
SLM70H	70 CFM with Humidity Sensor
Project Pack Components	
SLM-A	Fan Housing Can
SLM-AMTL	Fan Housing Can with Metal Duct
SLM50-B	50 CFM Motor/Grille
SLM70-B	70 CFM Motor/Grille

* Product is ENERGY STAR Most Efficient 2017 distinction and ENERGY STAR qualified

	Delta Breez	Market AC Motor
Energy Use (Watts)	6.4	45.2
Noise Level (Sones)	1.0	4.0
Annual Energy Cost per Fan (24/7) ¹	\$6.73	\$47.56

Delta BreezSlim G2 Series

SLM80	80 CFM Single Speed
SLM100	100 CFM Single Speed

	Delta Breez	Market AC Motor
Energy Use (Watts)	8.5	25.7
Noise Level (Sones)	0.6	1.1
Annual Energy Cost per Fan (24/7) ¹	\$8.94	\$27.02

Extraordinary performance in a small package

Weighing in at less than 5 lbs., the powerful yet compact Delta BreezSlim G1 sets the bar for performance in the popular small fan size of 7 1/2" x 7 1/4" x 3 15/16". Operating at just 2 Sones or less, this quiet fan features Delta's super reliable brushless DC motor, and an LED indicator light so you know it's running. Perfect for retrofit into an existing space UL and cUL listed for ceiling mount and wall mount installation. Available in contractor packs.



Delta BreezSlim G2

The second generation of BreezSlim adds 80 CFM and 100 CFM fans that are suitable for both ceiling and sidewall applications. All BreezSlim fans are ENERGY STAR® qualified and fit in a 4" wall. BreezSlim G2 models include a 4" metal oval duct with a 3" plastic adapter. An enlarged grille on G2 models helps relieve cutting errors. As with all Delta Breez fans, G2 models also feature an LED indicator light underneath the grille to assure the user that this quiet fan is running.



SLM80 and SLM100

Project Pack Components available SLM-A2 (housing) and SLM80-B (motor grille) or SLM100-B (motor grille)

Innovative brushless DC motor design for long life, low noise, and low power consumption

- Energy savings up to 85%²
- 1 Sone – quiet operation in a 7 1/2" x 7 1/4" bath fan
- 0.6 Sones – quiet operation in a 11 1/4" x 10 1/2" x 4" bath fan
- Exceeds ENERGY STAR requirement by 217% in energy efficiency³

¹ Calculations based upon U.S. average retail electricity at and HVI testing labs. Actual results may vary

² Based upon BreezSlim SLM50 vs. market AC motor fan

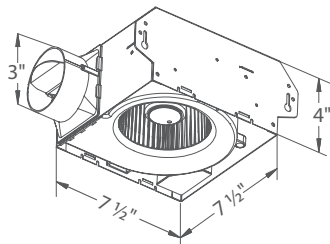
³ Based upon ENERGY STAR criteria for residential ventilating fans



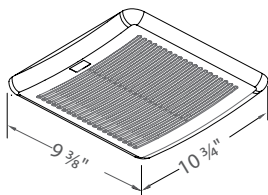
Specifications

Delta BreezSlim
Perfectly quiet. Perfectly green.

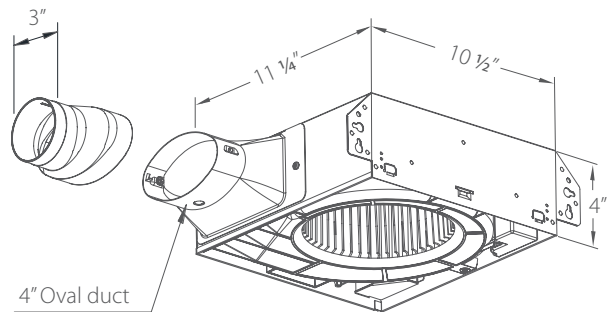
Delta BreezSlim series ventilation fans deliver extraordinary power and performance in a compact design that is especially suited for challenging space requirements. Can be either ceiling or wall mounted.



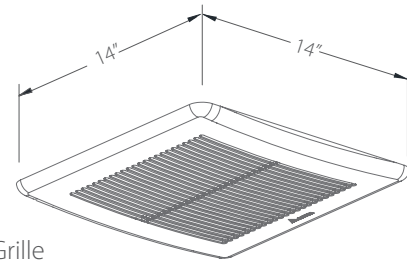
Fan Housing for SLM50 and SLM70



Fan Grille



Fan Housing for SLM80 and SLM100



Fan Grille

Delta BreezSlim Series	SLM50		SLM70 / SLM70H		SLM80				SLM100			
					4" Oval Duct		3" Round Duct		4" Oval Duct		3" Round Duct	
Fan Speed	Full Speed		Full Speed		Full Speed		Full Speed		Full Speed		Full Speed	
Static Pressure (Inches w.g.)	0.1	0.25	0.1	0.25	0.1	0.25	0.1	0.25	0.1	0.25	0.1	0.25
Air Flow (CFM)	50	36	70	54	80	62	70	54	100	84	90	70
Sones	1.0	1.2	2.0	1.5	0.6	1.1	0.9	1.5	1.0	1.5	1.5	2.0
Power Consumption (Watts)	6.4	6.3	13.2	11.6	8.5	10.9	10.5	12.0	14.5	17.7	17.4	16.9
Energy Efficiency (CFM/Watt)	8.9	6.5	5.8	5.0	9.4	5.6	6.6	4.5	6.8	4.7	5.1	4.1
Current (Amps)	0.18 Max		0.29 Max		0.26 Max				0.30 Max			
Power Rating (Volts/Hz)	120/60		120/60		120/60				120/60			
Duct Diameter	3"		3"		4" Oval		3" Round		4" Oval		3" Round	
Mounting Opening	7.25" x 7.5"		7.25" x 7.5"		11.25" x 10.5"				11.25" x 10.5"			
Automatic Operation			SLM70H Yes (humidity)									
Mounting Depth	3.937"		3.937"		4"				4"			
Grille Size	9.375" x 10.75"		9.375" x 10.75"		14" x 14"				14" x 14"			
Shipping Gross Weight (Lbs)	5		5		9.4				9.4			
cUL Tub/Shower Enclosure	Yes		Yes		Yes				Yes			
California Title 24 Compliant	Yes		Yes		Yes				Yes			
Mfg in ISO 9001 Certified Factory	Yes		Yes		Yes				Yes			
ENERGY STAR® Qualified	Yes		Yes		Yes				Yes			
ENERGY STAR Most Efficient 2016	Yes											
Warranty (Years) (Watts)	3		3		3				3			

Design and specifications subject to change without notice.



46101 Fremont Blvd., Fremont, CA 94538
tel 1.888.979.9889 | www.deltabreez.com

Delta BreezSlim Series - 10/17