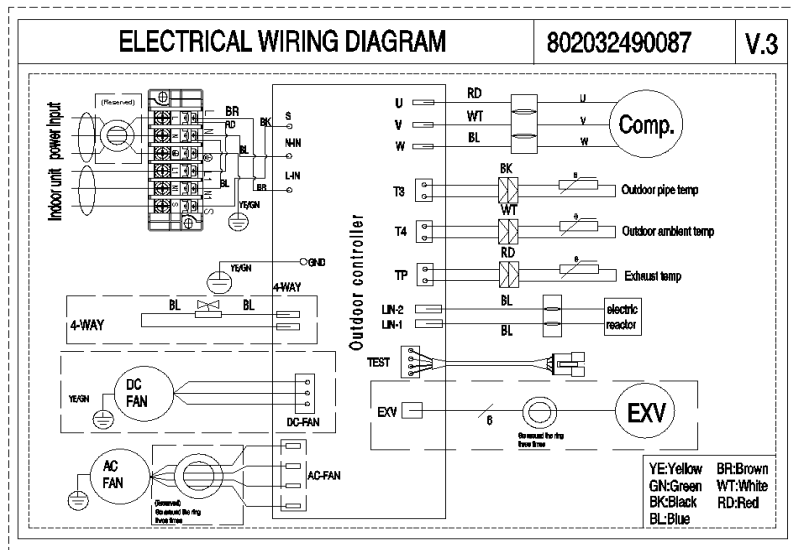
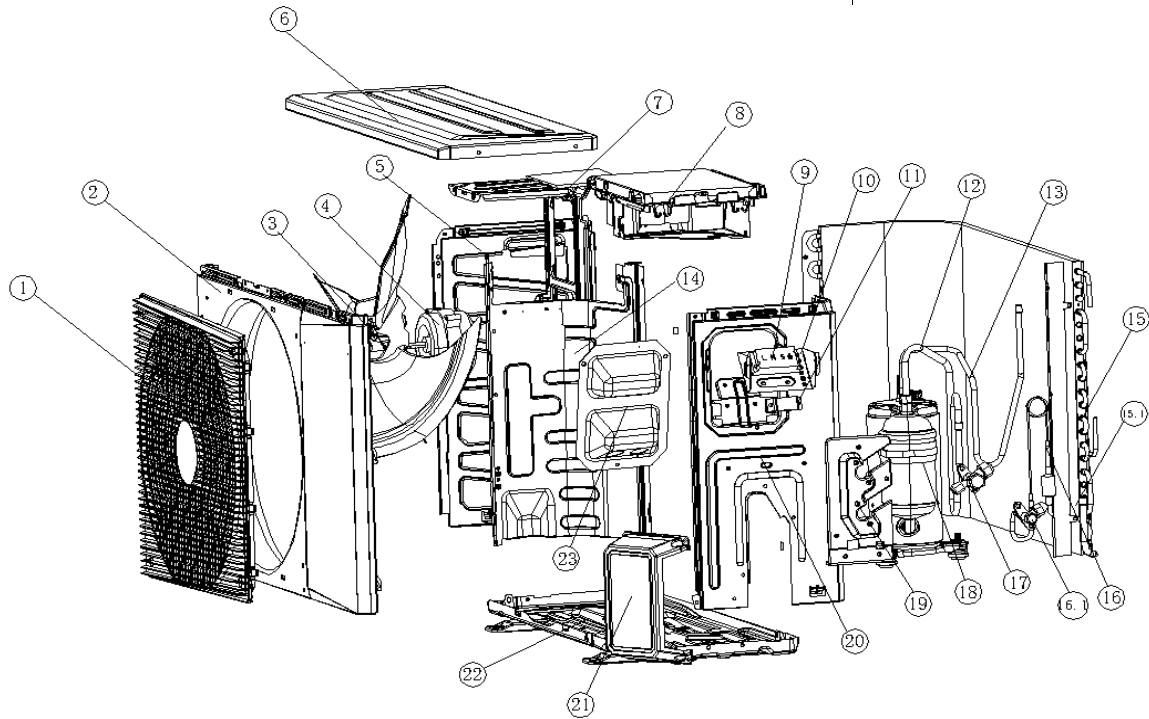


Product name: Frequency conversion split outdoor unit (camel gray Meizhi KSN98D22UFZ 1P7-11U hydro
 Project code: US1-KFR-35W/BPR1-AA01(KO)
 Product Code: 821039000120
 Power specification: 208/230V-1Ph-60Hz



No.	Part Name	Quantity	Sale code	BOM code
1	Air Grille	1		802939000002
2	Front panel	1		801239000057
3	Axial Fan Blade	1		801100300046
4	DC Motor	1		802400300102
5	Left side panel	1		801239000056
6	Top cover assembly	1		801242001867
7	Motor bracket assembly	1		801239000052
8	Outdoor main PCB	1		801339090013
9	Terminal block mounting plate	1		802404700004
10	Welded parts of electronic control mounting plate	1		801239000046

11	Pressing Button	1		80110200016	
12	Suction Pipe Assembly	1		80163900085	
13	Discharge Pipe Assembly	1		80163900086	
13.1	4-way valve	1		80160010023	
13.2	4-way valve coil	1		802419900281	
14	Middle separating board assembly	1		80123900065	
15	Condenser assembly	1		80153900009	
15.1	Condenser	1		80153900011	
16	Capillary parts	1		801639090762	
16.1	Cut-off valve-C	1		80160020032	
17	Cut-off valve	1		80160030062	
18	Inverter compressor	1		801401400179	
19	Valve holder	1		801228200171	
20	Right side panel parts	1		80123900051	
21	Stop valve cover	1		80113700002	
22	Base Pan	1		80123900048	
23	Big Handler	1		80123900075	
24	Temperature senser assembly	1		802300400190	T3/T4/T5