

Product explosion map

Number: EXP_US1-KFR88W-TR1-D01 (E0)_821033000012

CWA2007-QS001

Fixed frequency air duct outdoor unit

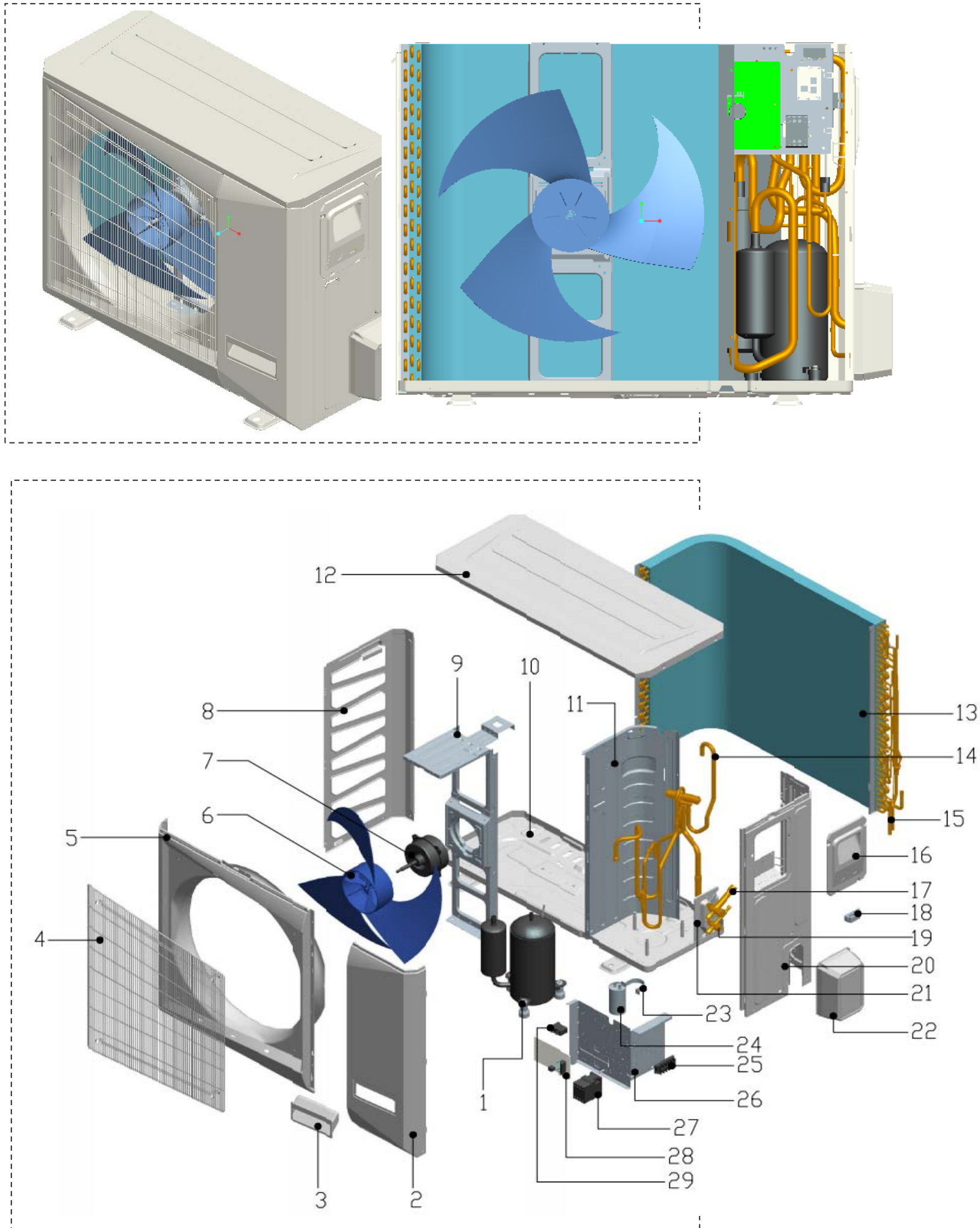
COU-30HNR1-D01-E0

208-230V~/60Hz

821033000012

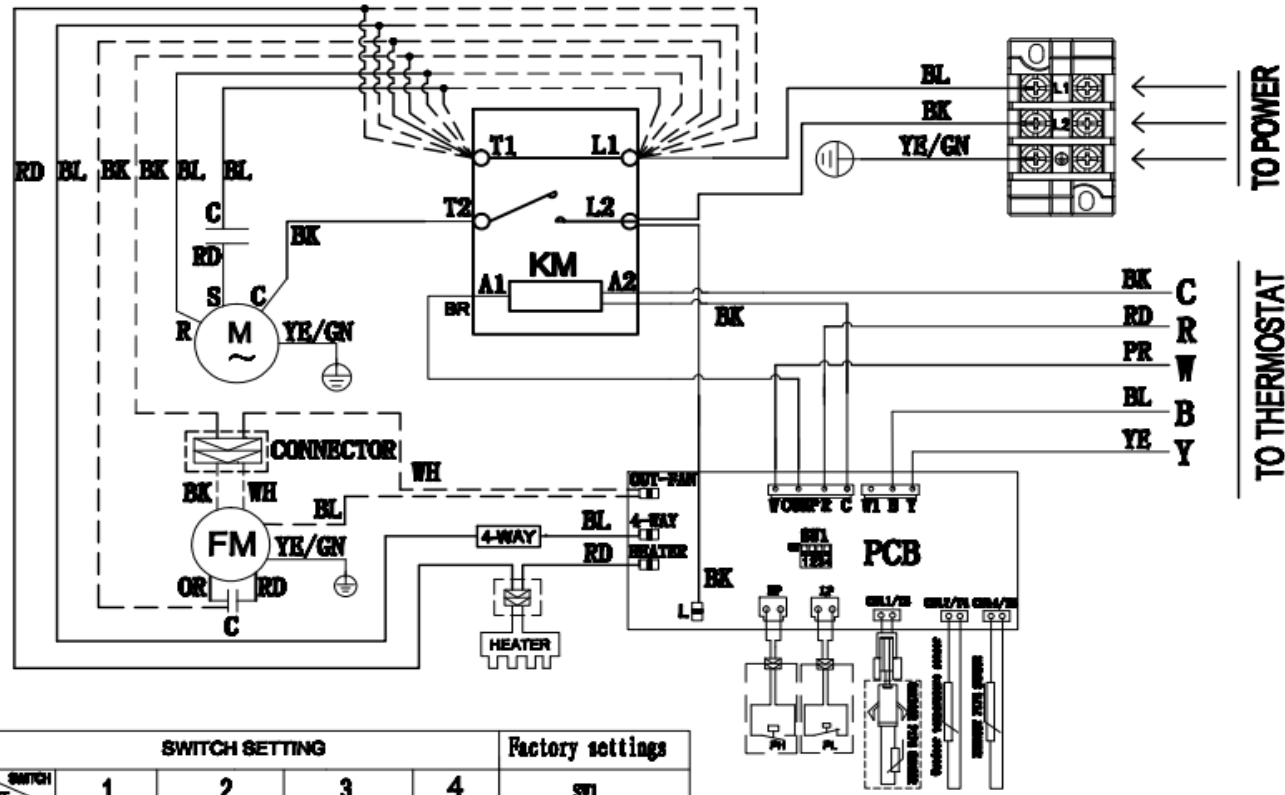
US1-KFR88W-TR1-D01(E0)

North American side air_cooling and warming 30K



CIRCUIT DIAGRAM

V. 4



SWITCH SETTING				Factory settings
SWITCH STATE	1	2	3	4
ON	MANUAL DEFROST	DEFROST MODE 1	DEFROST MODE 2	70-6 Reprogram
OFF	AUTOMATIC DEFROST	DEFROST MODE 2	DEFROST MODE 1	70-5 Reprogram

WIRE COLOR CODE	
RD RED	OR ORANGE
BK BLACK	GY GREY
BL BLUE	GN GREEN
PR PURPLE	WH WHITE
	YE YELLOW
	BR BROWN

NOTES

1. Grounded and all wiring to conform to I.E.C.
2. Replacement wire must be the same gauge and insulation type as original wire.
3. The units should install the stated-cross-section earth wire and keep it grounding unfailingly.
4. For indoor transformer, the current of 24V load voltage is not less than 1.5A

COMPONENT CODE
KM CONTACTOR
C CAPACITOR
M COMPRESSOR
TB TERMINAL BLOCK
FM FAN MOTOR
PH HIGH PRESSURE SWITCH
PL LOW PRESSURE SWITCH
4-WAY 4-WAY VALVE COIL
HEATER COMPRESSOR HEATING BOARD

COU-30HNR1-C01-E0

No.	Part Name	Quantity	BOM code
1	Compressor	1	801401100039
2	Right front side panel	1	801228200181
3	Small handle	1	801132890002
4	Air outlet net cover	1	802932890001
5	Front panel	1	801228200179
6	Axial-flow fan blade	1	801100300036
7	Outdoor fan motor	1	802400400780
8	Left side panel	1	801228200177
9	Holder of fan motor	1	801228200145
10	Chassis parts	1	801233490158
11	Separating board parts	1	801232890066
12	Top cover parts	1	801232890063
13	Condenser parts	1	801539090051
14	Four way valve parts	1	801633090094
15	High pressure valve parts	1	801633090099
16	Big handle	1	801232890064
17	Cut-off valve (DN16)	1	801600200012
18	Cut-off valve (DN8)	1	801102000016
19	Cut-off valve (DN8)	1	801600200014
20	Right rear side panel parts	1	801228200178
21	Valve mounting plate	1	801228200184
22	Cover of cut-off valve	1	801137000005
23	Capacitor clip	1	801200100009
24	Compressor capacitor	1	802401000032
25	Terminal block	1	802401700400
26	Electric control board mounting board	1	801232890059
27	AC contactor	1	802300100261
28	Main board assembly	1	801319900011
29	Fan motor capacitor	1	802401100075