

Product explosion map

Number: EXP_US1-KFR53W-TR1-C01(E0)_821032400034

CWA2009-QS001

Fixed frequency air duct outdoor unit

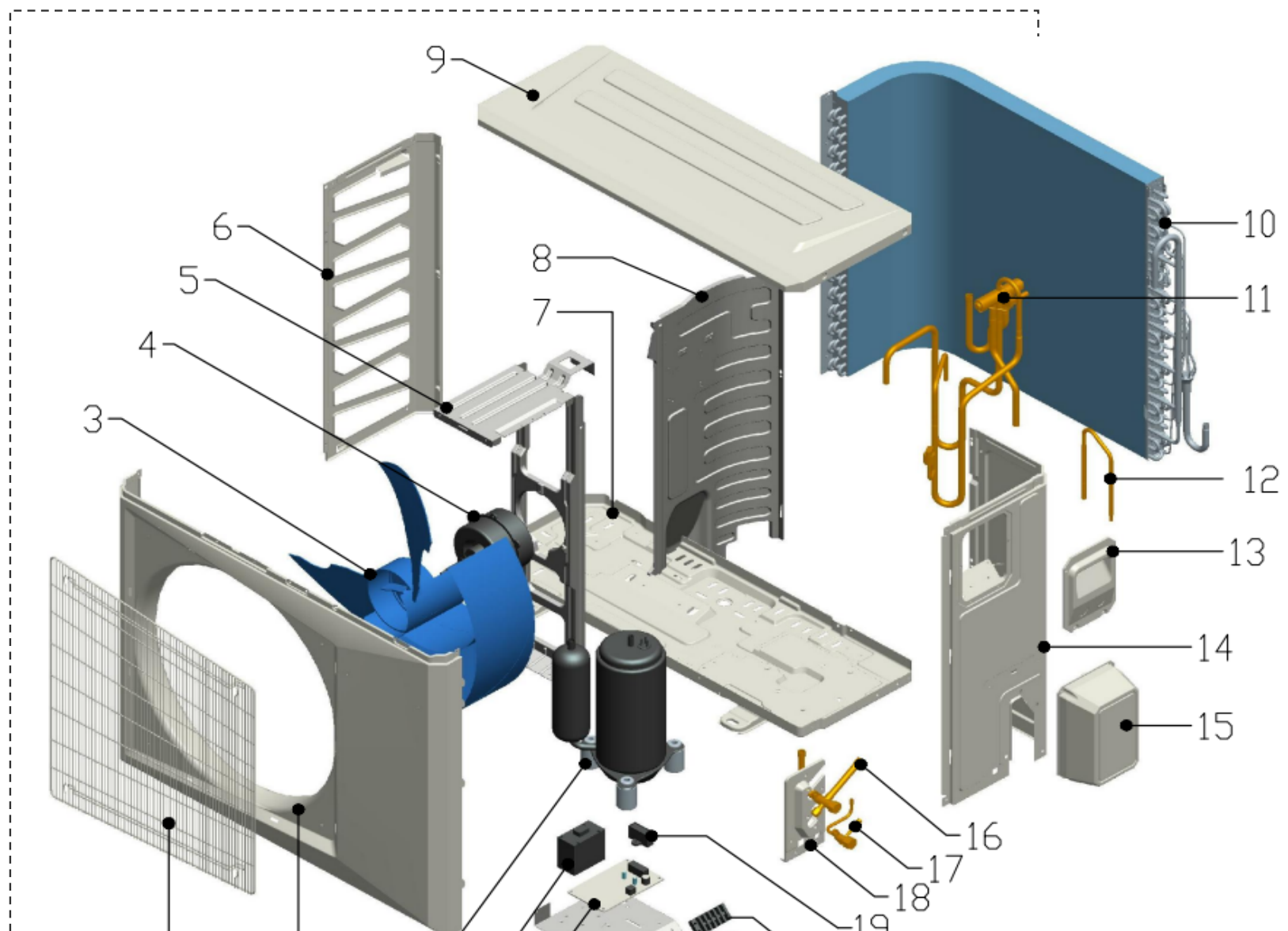
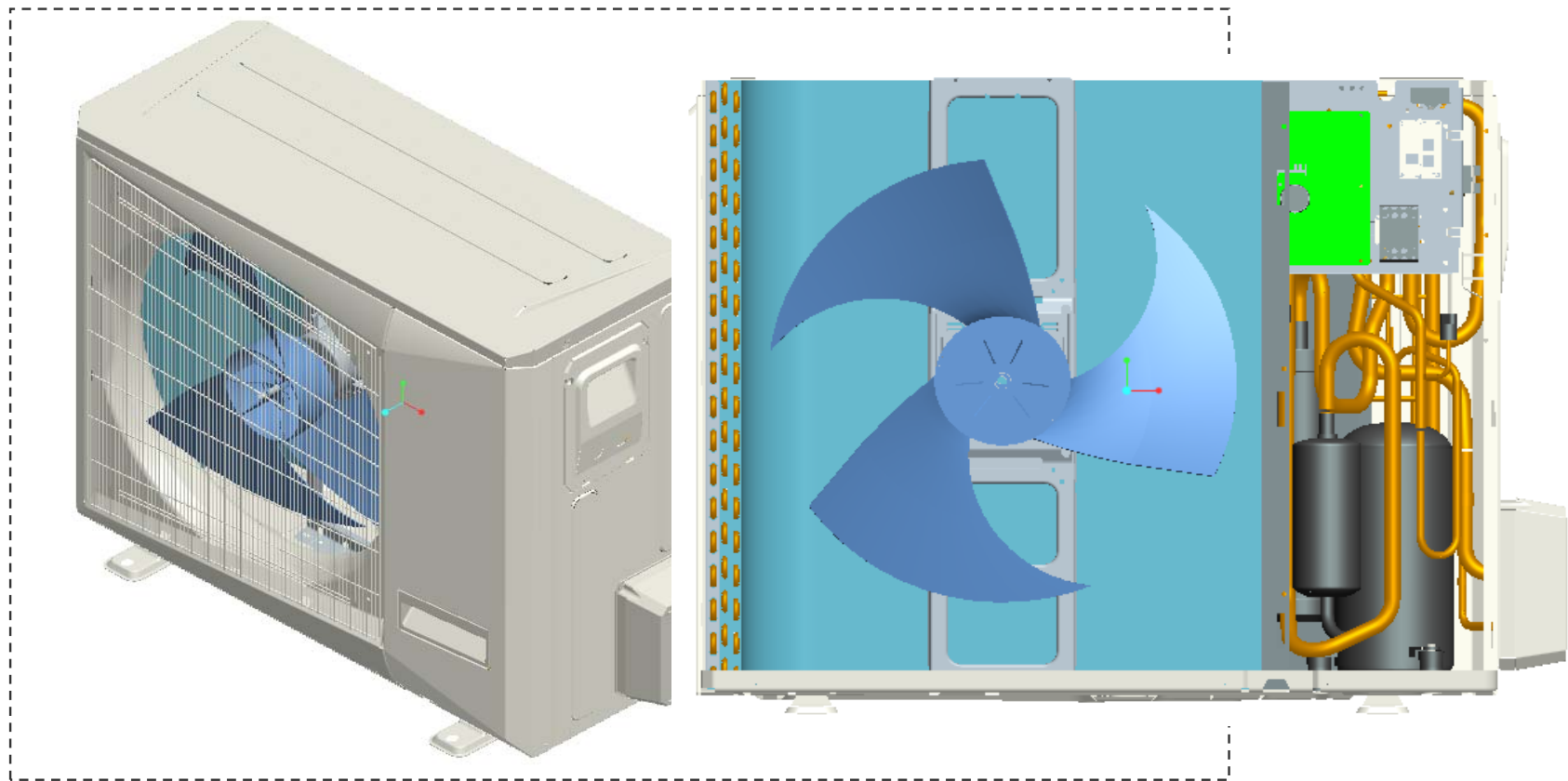
COU-18HNR1-C01-E0

208-230V/1/60Hz

821032400034

US1-KFR53W-TR1-C01(E0)

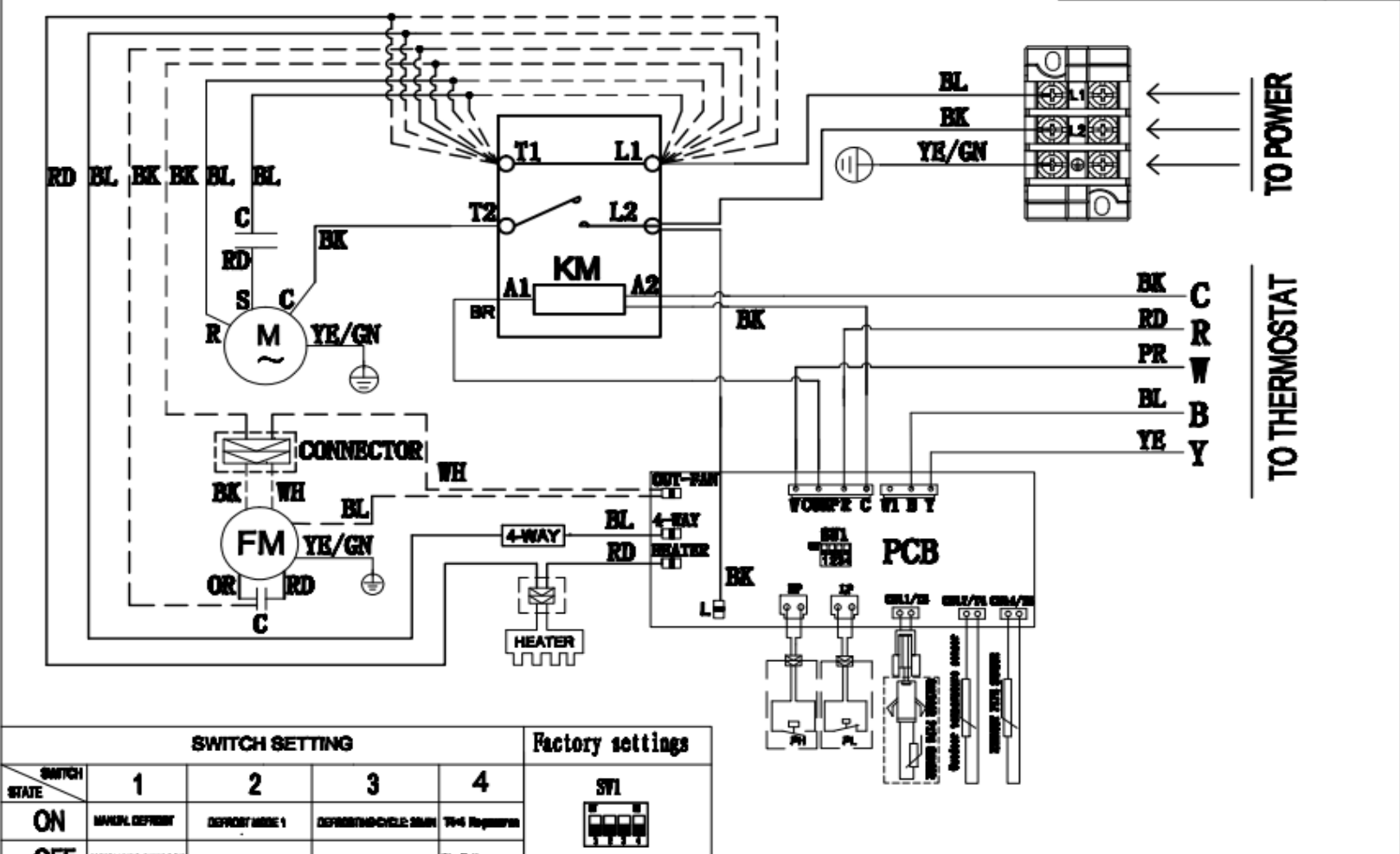
North American side air cooling and heating 18K





CIRCUIT DIAGRAM

V. 4



SWITCH SETTING				Factory settings
SWITCH STATE	1	2	3	4
ON	MANUAL DEFROST	DEFROST MODE 1	DEFROSTING CYCLE: 2MIN	T0-6 Reprogram
OFF	AUTOMATIC DEFROST	DEFROST MODE 2	DEFROSTING CYCLE: 2MIN	T0-5 Reprogram

WIRE COLOR CODE		
RD RED	OR ORANGE	WH WHITE
BK BLACK	GY GREY	YE YELLOW
BL BLUE	GN GREEN	BR BROWN
PR PURPLE		

WIRE INFORMATION	
—————	FACTORY STANDARD
-----	FIELD INSTALLED
-----	FACTORY OPTIONAL

- NOTES**
1. Grounded and all wiring to conform to I.E.C.
 2. Replacement wire must be the same gauge and insulation type as original wire.
 3. The units should install the stated-cross-section earth wire and keep it grounding unflinching.
 4. For indoor transformer, the current of 24V load voltage is not less than 1.5A

COMPONENT CODE
KM CONTACTOR
C CAPACITOR
M COMPRESSOR
TB TERMINAL BLOCK
FM FAN MOTOR
PH HIGH PRESSURE SWITCH
PL LOW PRESSURE SWITCH
4-WAY 4-WAY VALVE COIL
HEATER CRANKSHAFT HEATING BAND

COU-18HNR1-C01-E0

No.	Part Name	Quantity	BOM code
1	Front panel	1	801259000022
2	Air outlet net cover	1	802932490001
3	Axial-flow fan blade	1	801100300042
4	Air outlet net cover	1	802400400779
5	Holder of fan motor	1	801233090031
6	Left side panel	1	801259000019
7	Chassis parts	1	801232490060
8	Separating board parts	1	801233090029
9	Top cover parts	1	801259000023
10	Condenser parts	1	801532490043
11	Four way valve parts	1	801632490215
12	Capillary parts	1	801632490217
13	Big handle	1	801232490069
14	Right side panel parts	1	801232490070
15	Cover of cut-off valve	1	801137000005
16	Cut-off valve (DN10)	1	801600200010
17	Cut-off valve (DN4)	1	801600200036
18	Valve mounting plate	1	801228200171

19	Fan motor capacitor	1	802401100066
20	Terminal block	1	802401700400
21	Crimping button	1	801102000015
22	Electric control board mounting board	1	801232490079
23	Compressor capacitor	1	802401000034
24	Capacitor clip	1	801232000003
25	Main board assembly	1	801319900011
26	AC contactor	1	802300100261
27	Compressor	1	801401100049