

Product Bulletin

Bulletin Number: PB-20-13

Date: May 20, 2020

Subject: Wired Controller for Ductless KSACN0601AAA and KSACN0701AAA

Contact: Diego Salazar

Wired Controllers KSACN0601AAA and KSACN0701AAA Ductless Systems

Ductless is announcing the introduction of the Wired Remote Controllers KSACN0601AAA and KSACN0701AAA. These new Wired Remote Controllers feature backward compatibility with ductless indoor units currently compatible, 7-day programmability, temperature sensing on the controller as default, mode customization and white backlight with a modern and simple design.

Features

- LCD Display
- °F/°C Convertible
- Backlight display
- Follow Me default, temperature sensing on the controller
- 4-wire quick connect
- Room temperature display
- Troubleshooting error code display
- Infrared IR receiver built-in
- Clock
- 12 HR (am/pm) or military time

Functions

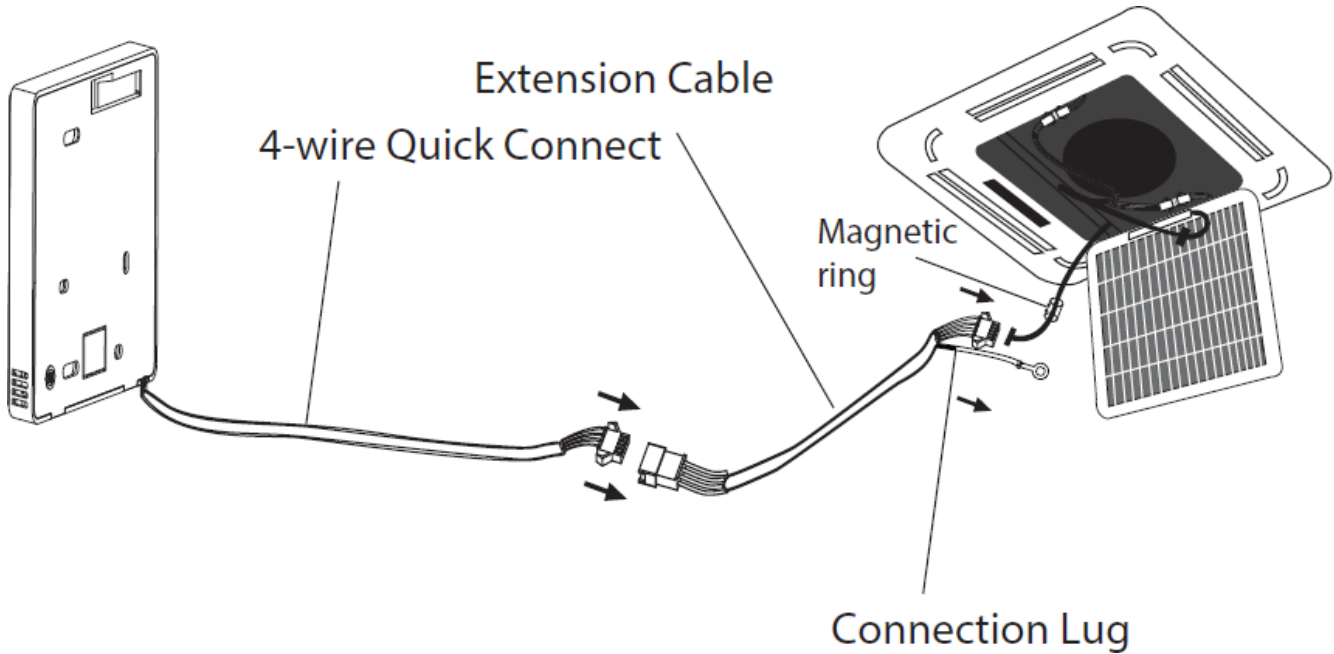
- Weekly Schedule 7-day programmable
- Mode: Auto-Cool-Dry-Heat-Fan
- Operation mode customization
 - CH - Heat Pump
 - CC - Cooling Only
 - HH - Heating Only
 - NA - No Auto Mode
- Fan Speed: Auto/Low/Med/High speed
- Set temperature range limit
- Airflow direction horizontal and vertical (model dependent)
- Temperature Setting
- Child Lock



Each new Wired Remote Controller KSACN0601AAA or KSACN0701AAA will be made available for order on a rolling model basis based on depletion of inventory of the current KSACN0401AAA or KSACN0501AAA models. Please check SAP for availability

Product Bulletin

Documentation available on <https://catalog.hvacpartners.com/ductless-systems/controls-and-accessories/>



A 19 ft (6m) extension cable is included with these kits. Optional additional extension cables are available through Fast Parts (Replacement Components), to extend the wiring connection to a maximum of 66 ft (20m) for the KSACN0601AAA and 164 ft (50m) for the KSACN0701AAA

| RCD Part # | Description |
|----------------|---------------------------|
| 17401204000769 | 19ft (6m) extension cable |

For availability of this extension cable part, please contact FAST Parts

All-Agent Line: (866) 380-FAST (3278)

www.fasthvacrparts.com

Cross Reference Phase In Phase Out

The new models will be backward compatible with the ductless systems currently compatible with the older models. Refer to the compatibility charts for specific model numbers.

| Phase Out | Phase In |
|--------------|--------------|
| KSACN0401AAA | KSACN0601AAA |
| KSACN0501AAA | KSACN0701AAA |

Manufacturer reserves the right to discontinue, or change at any time, specifications or designs without notice or without incurring obligations