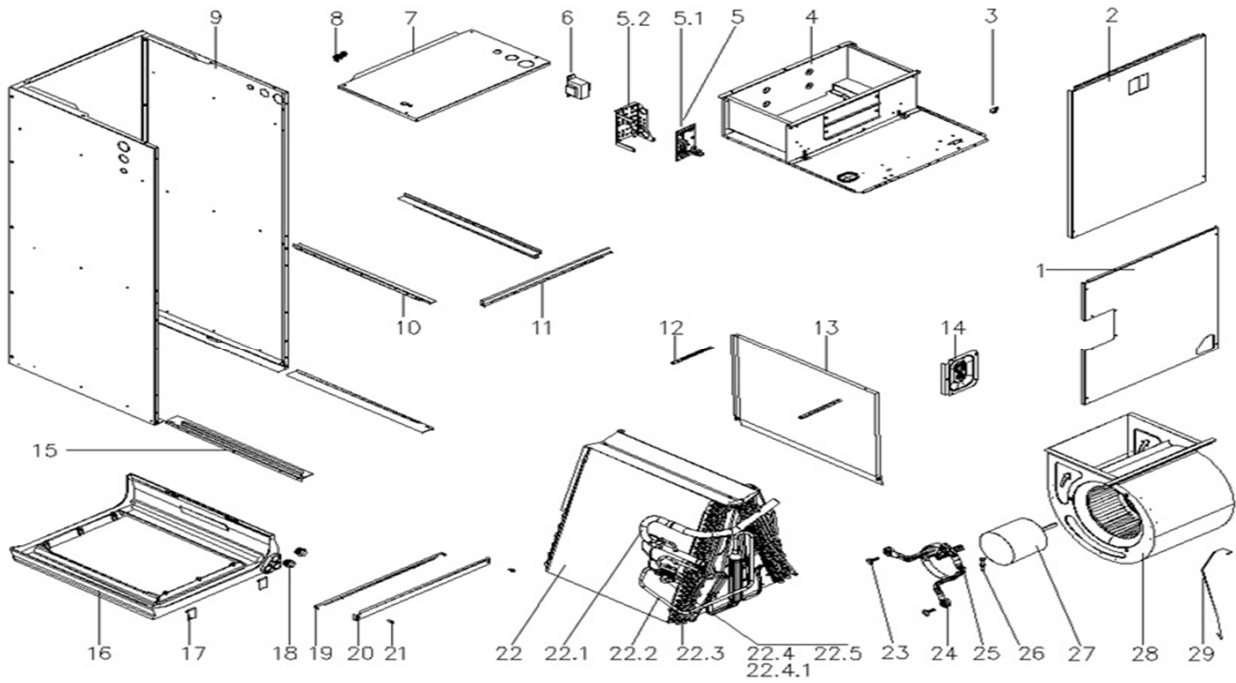
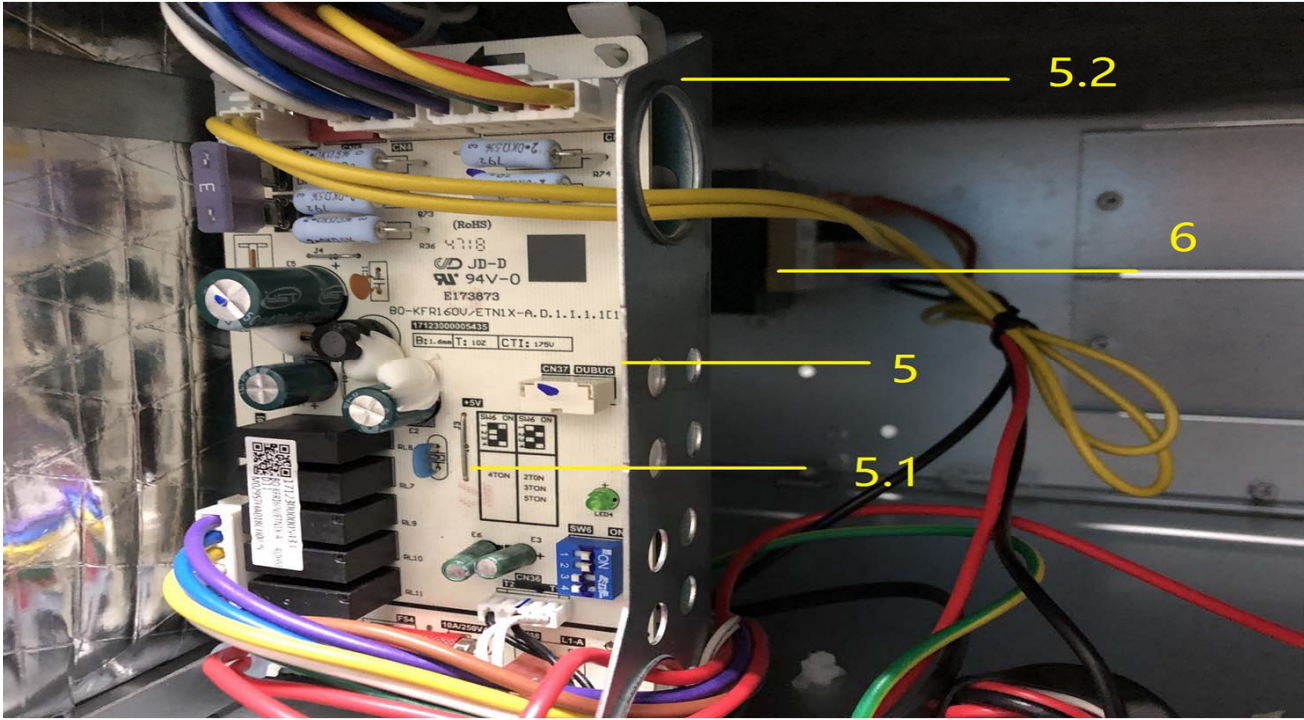


Exploded View

(Product model) : 22023011004475
 (Customer No) : G0001615
 (Customer model) : MVME60C2MN1TA
 (Order Product Code) : 62249-K7748001



EX_ID	Spare Parts Code	Part Name(EN)	Qty.
1	12223000A04589	Side panel assembly	1
2	12223000002197	Side panel ass'y, up	1
3	11201708000008	Wiring Terminal	1
4	12223000002127	Air channel ass'y	1
5	17223000006156	E-part box assembly	1
5.1	17123000005433	Indoor unit main control board	1
5.2	12223000002175	Electric installation board	1
6	11203103000194	Linear Transformer	1
7	12223000A05672	Side panel assembly	1
8	12100304000153	Orientation line	1
9	12223000002371	Base ass'y	1
10	12223000001940	Drainage pan supporting board	2
11	12223000010767	Supporter assembly	1
12	12223000010756	Drainage pan clamp	2
13	12223000001212	Drainage pan	1
14	12223000A05369	Cover plate ass'y	1
15	12223000010759	Drainage pan supporting board	2
16	12123000000110	Drain pan ass'y	1
17	12223000000028	Fixing board of water collector	2
18	15500402000023	seal plug	2
19	12223000002101	Supporting bar	1
20	12223000002003	Cover board	1
21	11301230000002	Screw	2
22	15823000004723	Evaporator assembly	1
22.1	15223000000247	Output pipe assembly	1
22.2	15423000004758	Evaporator input pipe assembly	1
22.3	15823000004724	Evaporator	2
22.4	15423000004780	Evaporator input pipe assembly	1
22.4.1	15500213001045	thermostatic expansion valve	1
22.5	12100901000010	Sealing ring	1
22.6	11201007000165	Pipe Temperature Sensor	1
23	11301002000673	Hexagon head bolt and plain washer	3
24	12223000001932	Supporter subassembly of fan motor	3
25	12223000001992	Supporter Of Fan Motor	1
26	11301705000106	Bolt	1
27	11002015007641	Brushless DC Motor	1
28	12200101000029	Fan Assembly	1