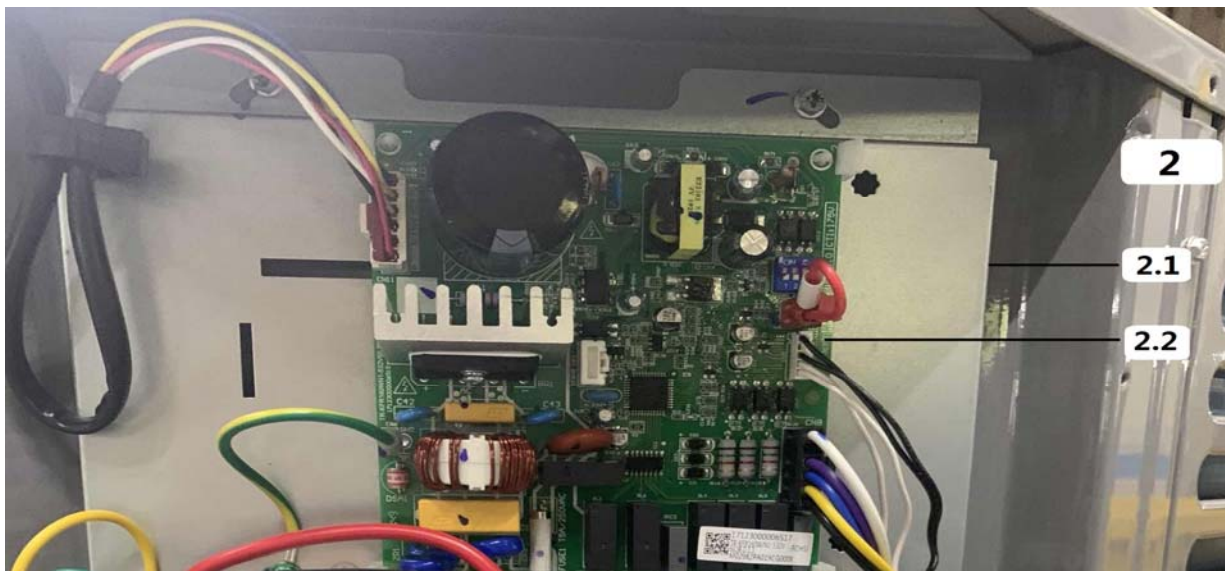
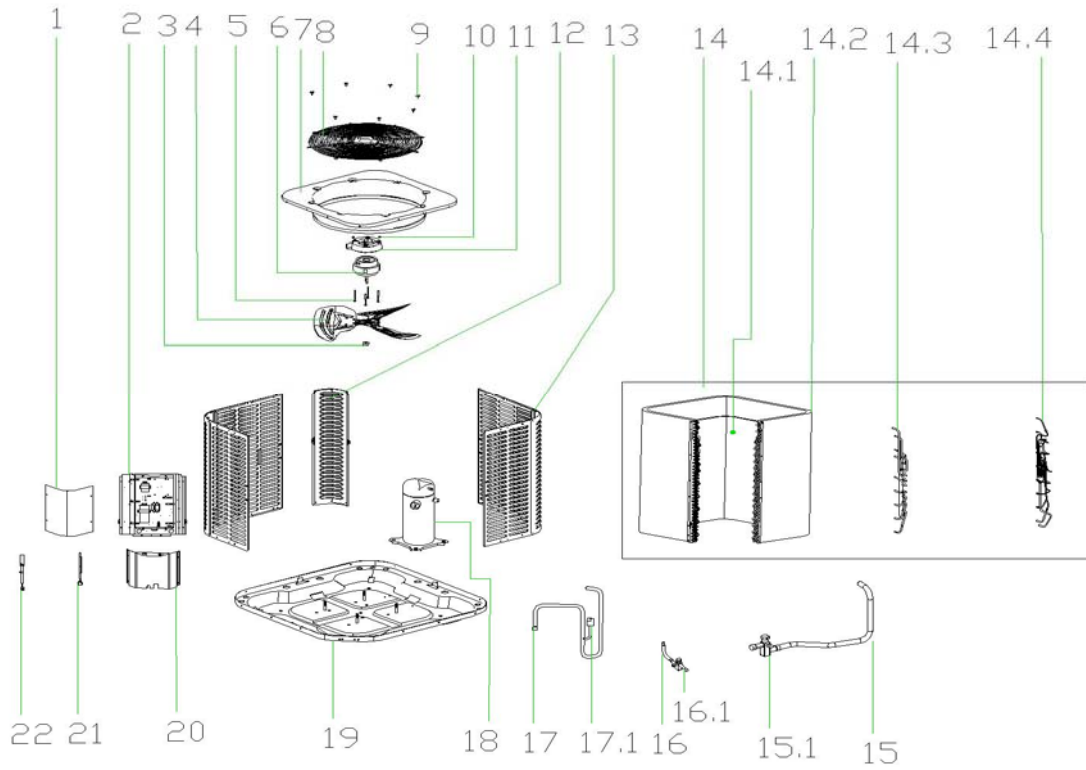
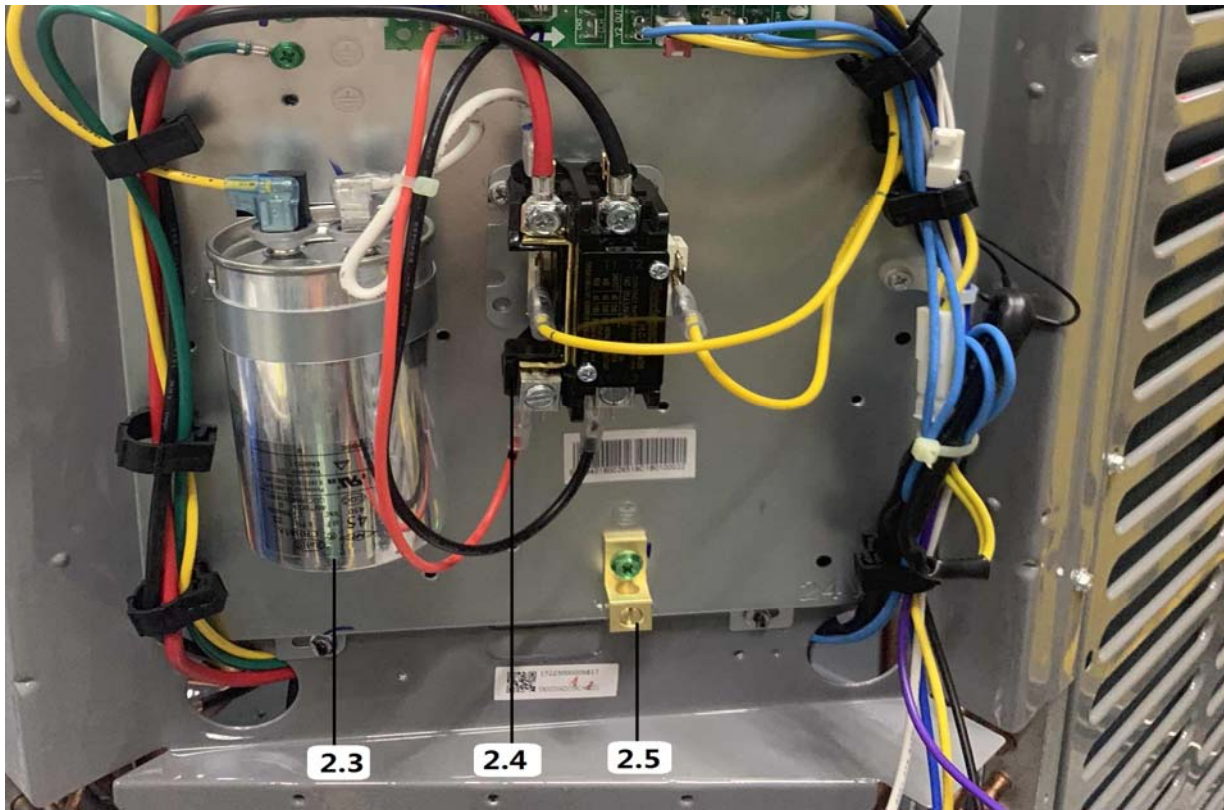


Exploded View

MOVA61CN1M152L





EX_ID	Spare Parts Code	Part Name(EN)	Qty.
2.1	1222300001079	Installation plate of electric parts subassembly	1
2.2	17123000006517	Outdoor main control board assembly	1
2.3	17400103000150	Capacitor	1
2.4	11203502000032	AC contactor	1
2.5	11201708000008	Wiring Terminal	1
3	11301512000143	Nut	1
4	12200104000032	Fan,3 blade count,aluminum alloy galvanized,D 23inch,60DEG(60), 1/2inch Shaft Bore,CW(along air flow direction)	1
5	11301805000012	Motor Mounting bolt	4
6	11002015009345	Brushless DC Motor	1
7	12223000001094	Top cover assembly	1
8	12227700003728	Top cover	1
9	11301002000001	Stainless steel bolts	8
10	11301604000001	Nut	4
11	12123000000464	Motor installation board ass'y	1
12	12223100000243	Supporting board	1
13	12223000002569	Side panel assembly	2
14	15823000005963	Condenser part	1
14.1	15823000004784	Condenser	1
14.2	15823000004785	Condenser	1
14.3	15123000008850	Condenser inlet pipe ass'y	1
14.4	15123000008839	Condenser output pipe ass'y	1
15	15423000004821	Stop valve ass'y	1
15.1	15500206000017	Block valve	1
16	15423000003178	Stop valve ass'y	1
16.1	15500206000018	Block valve	1
17	15423000005022	Air discharge pipe assembly	1
17.1	17400516000032	Pressure switch	1
18	11102010001298	Fixed Speed Scroll compressor	1
19	12223000005894	Base assembly	1
20	12223100000240	Clapboard assembly	1
21	17401110000020	Green ground line	1
22	17401203001230	Compressor wire joint ass'y	1