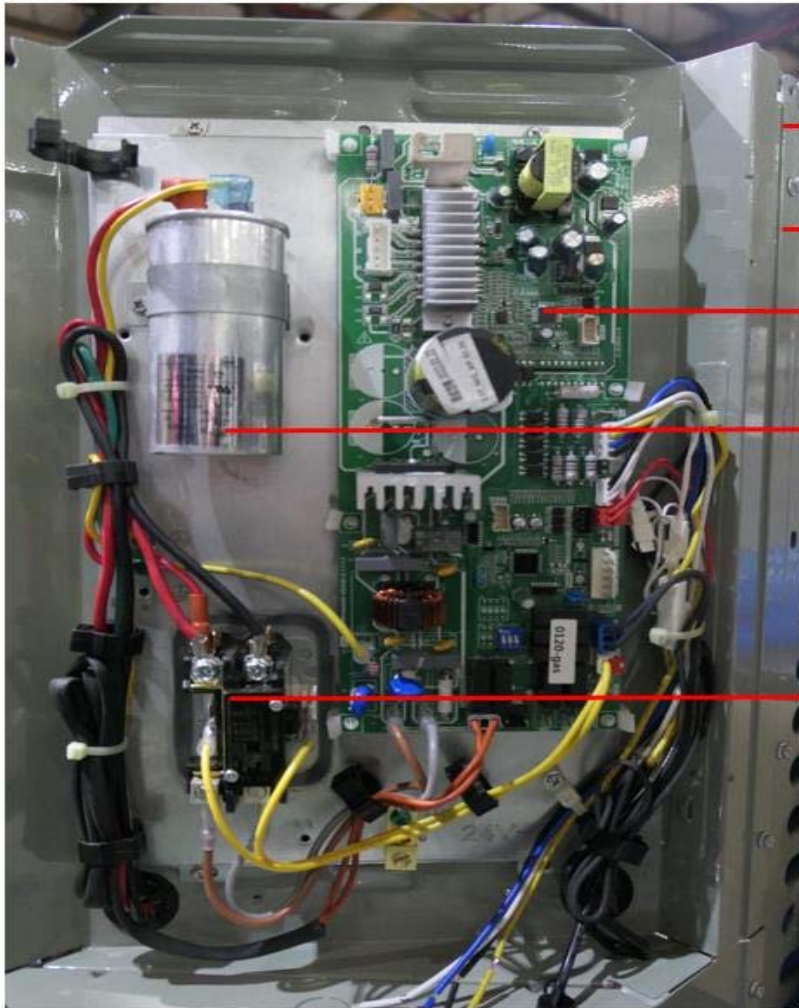


# Exploded View

MOVA60HN1M152L



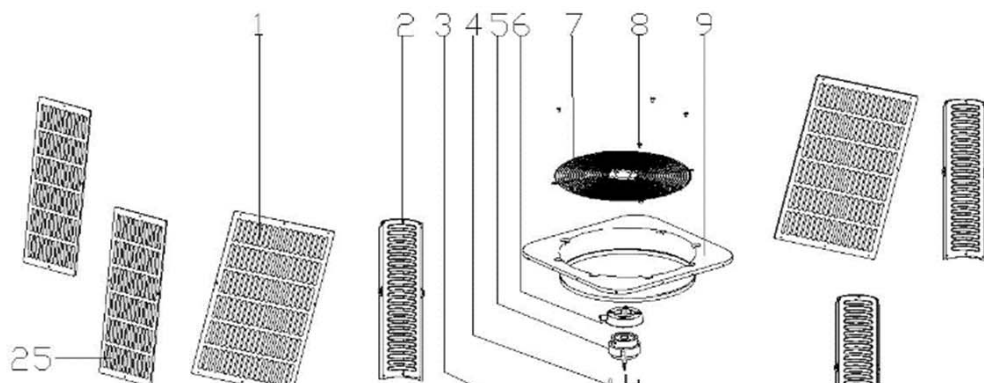
18

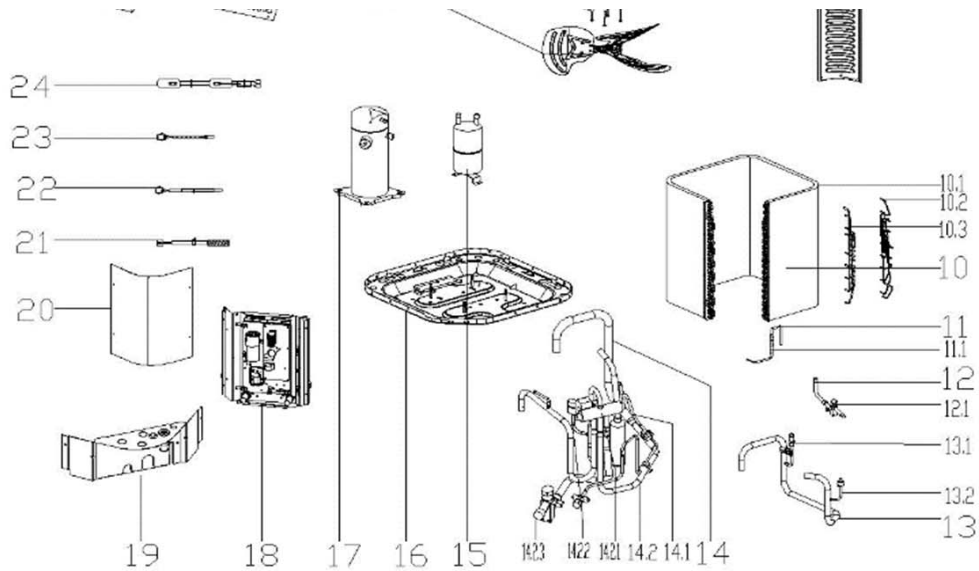
18.1

18.2

18.3

18.4





EX_ID	Spare Parts Code	Part Name(EN)	Qty.
3	12200104000032	Fan,3 blade count,aluminum alloy galvanized,D 23inch,60DEG(60), 1/2inch Shaft Bore,CW(along air flow direction)	1
4	11301805000012	Motor Mounting bolt	4
5	11002015015328	Brushless DC Motor	1
6	12123000000464	Motor installation board ass'y	1
7	12227700003729	Top cover	1
8	11301002000001	Stainless steel bolts	8
9	12223000001094	Top cover assembly	1
10	15823000004783	Condensor ass'y	1
11	15423000004618	Throttle assembly	1
11.1	15500210000376	Throttle	1
12	15423000003178	Stop valve ass'y	1
12.1	15500206000018	Block valve	1
13	15423000005731	Suction pipe ass'y	1
13.1	15427000001439	Fusible plug assembly	1
13.2	17400516000149	Pressure switch	1
14	15423000005729	4-way valve ass'y	1
14.1	15123000013420	Pipe joint ass'y	1
14.2	15423000005725	4-way valve assembly	1
14.2.1	15500216002243	4-way valve ass'y	1
14.2.2	17400516000032	Pressure switch	1
14.2.3	15500206000017	Block valve	1
15	15500508001115	Accumulator cylinder	1
16	12223000005894	Base assembly	1
17	11102010001184	Fixed Speed Scroll compressor	1
18	17223000008827	E-part box assembly	1
18.1	12223000015849	Installation plate of electric parts subassembly	1
18.2	17123000A03565	Outdoor main control board assembly	1
18.3	17400103000133	Capacitor	1
18.4	11203502000032	AC contactor	1
21	17400513003814	Discharge Temperature switch	1
22	11201007000073	Room Temperature Sensor	1
23	11201007000136	Pipe Temperature Sensor	1
24	17402001000033	Crankcase electric heater	1