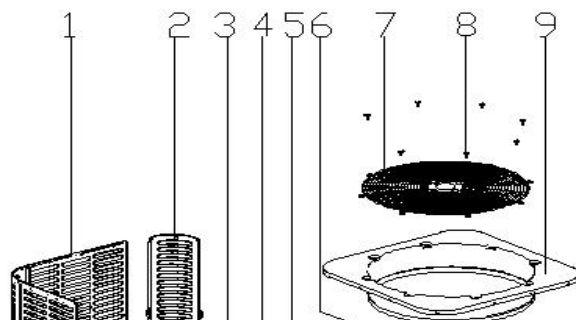
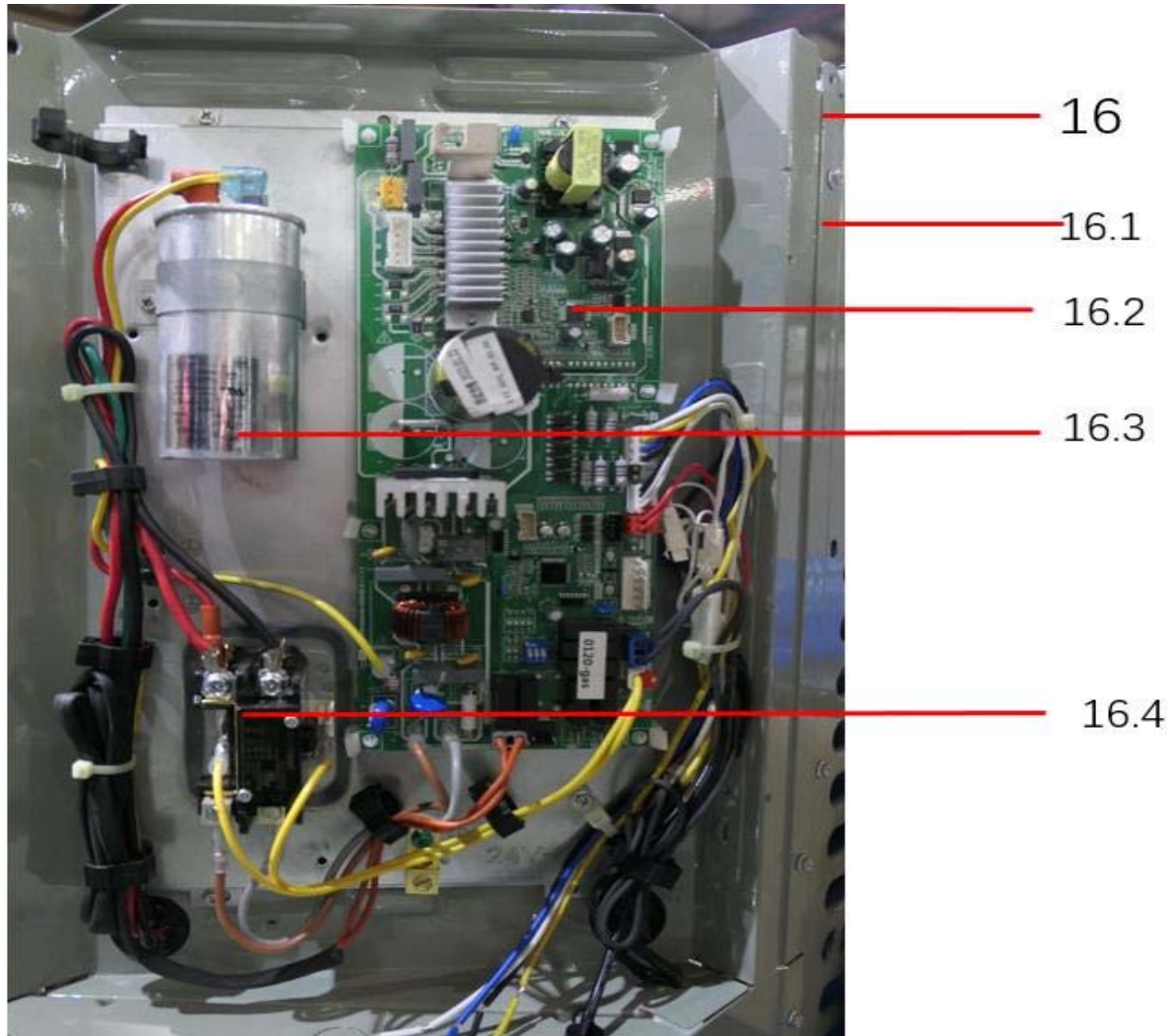
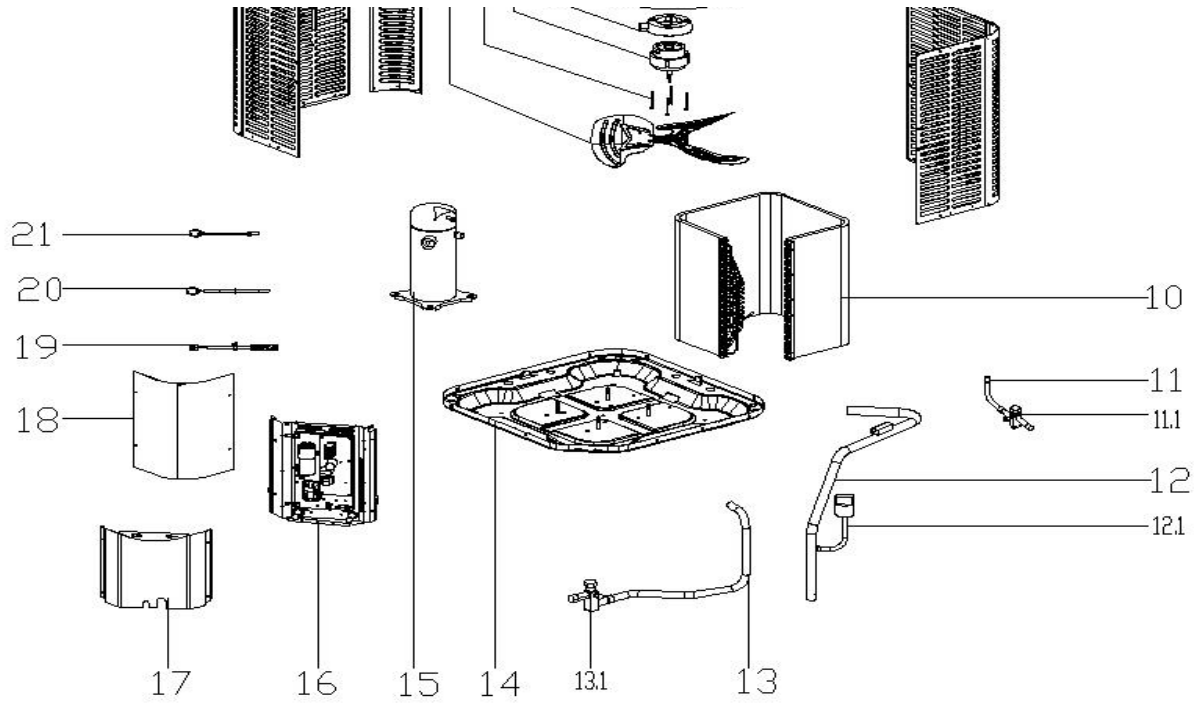


Exploded View

MOVA42CN1M152L





EX_ID	Spare Parts Code	Part Name(EN)	Qty.
3	12200104000038	Fan	1
4	11301805000012	Motor Mounting bolt	4
5	11002015015328	Brushless DC Motor	1
6	12123000000464	Motor installation board ass'y	1
7	12227700003729	Top cover	1
8	11301002000001	Stainless steel bolts	8
9	12223000001094	Top cover assembly	1
10	15823000000982	Condenser ass'y	1
11	15423000003178	Stop valve ass'y	1
11.1	15500206000018	Block valve	1
12	15423000005738	Discharge pipe ass'y	1
12.1	17400516000032	Pressure switch	1
13	15423000001316	Stop valve ass'y	1
13.1	15500206000017	Block valve	1
14	12223000005894	Base assembly	1
15	11102010000412	Fixed Speed Scroll compressor	1
16	17223000008829	E-part box assembly	1
16.1	12223000015849	Installation plate of electric parts subassembly	1
16.2	17123000A03565	Outdoor main control board assembly	1
16.3	17400103000150	Capacitor	1
16.4	11203502000032	AC contactor	1
17	12223000016090	Side panel assembly	1
18	12223000A05994	Side panel assembly	1
19	17400513003814	Discharge Temperature switch	1
20	11201007000073	Room Temperature Sensor	1
21	11201007000136	Pipe Temperature Sensor	1