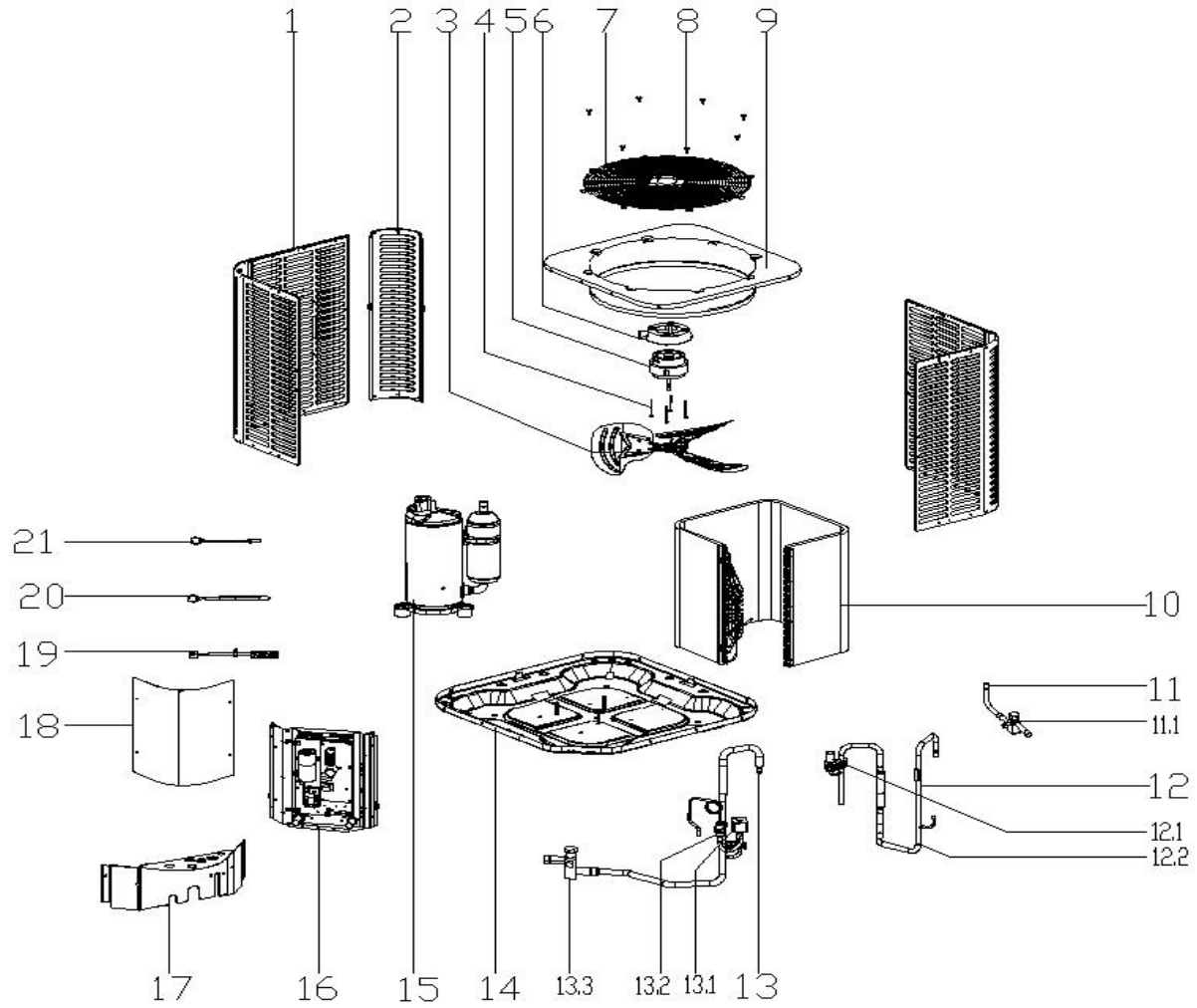


Exploded View

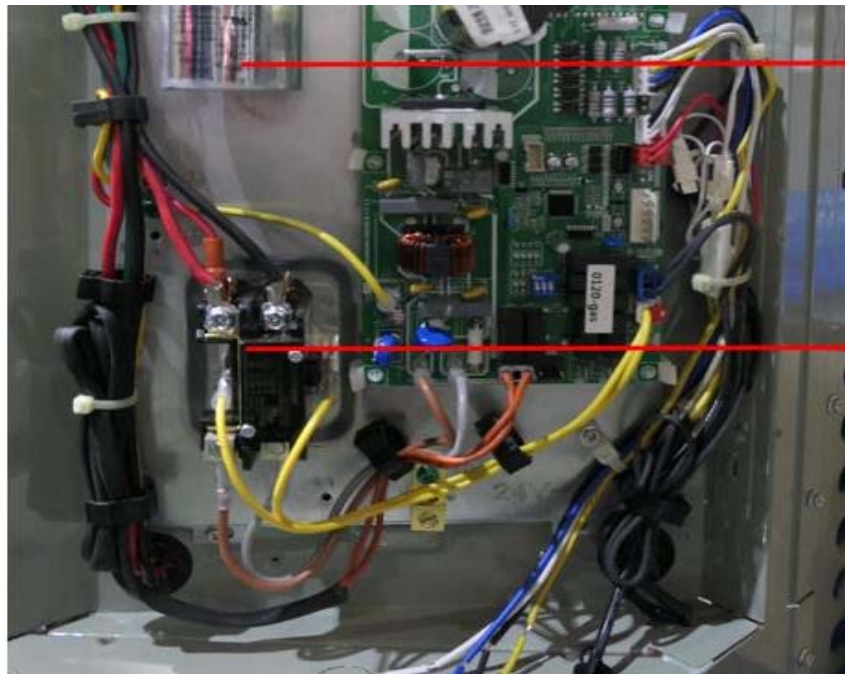
MOVA30CN1M152G



16

16.1

16.2



16.3

16.4

EX_ID	Spare Parts Code	Part Name(EN)	Qty.
3	12200104000032	Fan,3 blade count,aluminum alloy galvanized,D 23inch,60DEG(60),1/2inch Shaft Bore,CW(along air flow direction)	1
4	11301805000012	Motor Mounting bolt	4
5	11002015016400	Brushless DC Motor	1
6	12123000000464	Motor installation board ass'y	1
7	12923000000028	Grille, top cover	1
8	11301002000001	Stainless steel bolts	8
9	12223000001097	Top cover assembly	1
10	15823000000265	Condenser ass'y	1
11	15423000003178	Stop valve ass'y	1
11.1	15500206000018	Block valve	1
12	15423000005821	Air discharge pipe assembly	1
12.1	17400516000628	Pressure controller	1
12.2	15500203000030	One way valve	1
13	15123000013576	Suction pipe assembly	1
13.1	15500205000034	Solenoid vlave ass'y	1
13.2	15500504000129	Strainer	1
13.3	15500206000026	Block valve	1
14	12223000002433	Base assembly	1
15	11103010014509	Fixed Speed Rotary Compressor	1
16	17223000008831	E-part box assembly	1
16.1	12223000015849	Installation plate of electric parts subassembly	1
16.2	17123000A03565	Outdoor main control board assembly	1
16.3	17400103000147	Capacitor	1
16.4	11203502000032	AC contactor	1
17	12223000016090	Side panel assembly	1
18	12223000A05994	Side panel assembly	1
19	17400513003814	Discharge Temperature switch	1
20	11201007000073	Room Temperature Sensor	1
21	11201007000136	Pipe Temperature Sensor	1