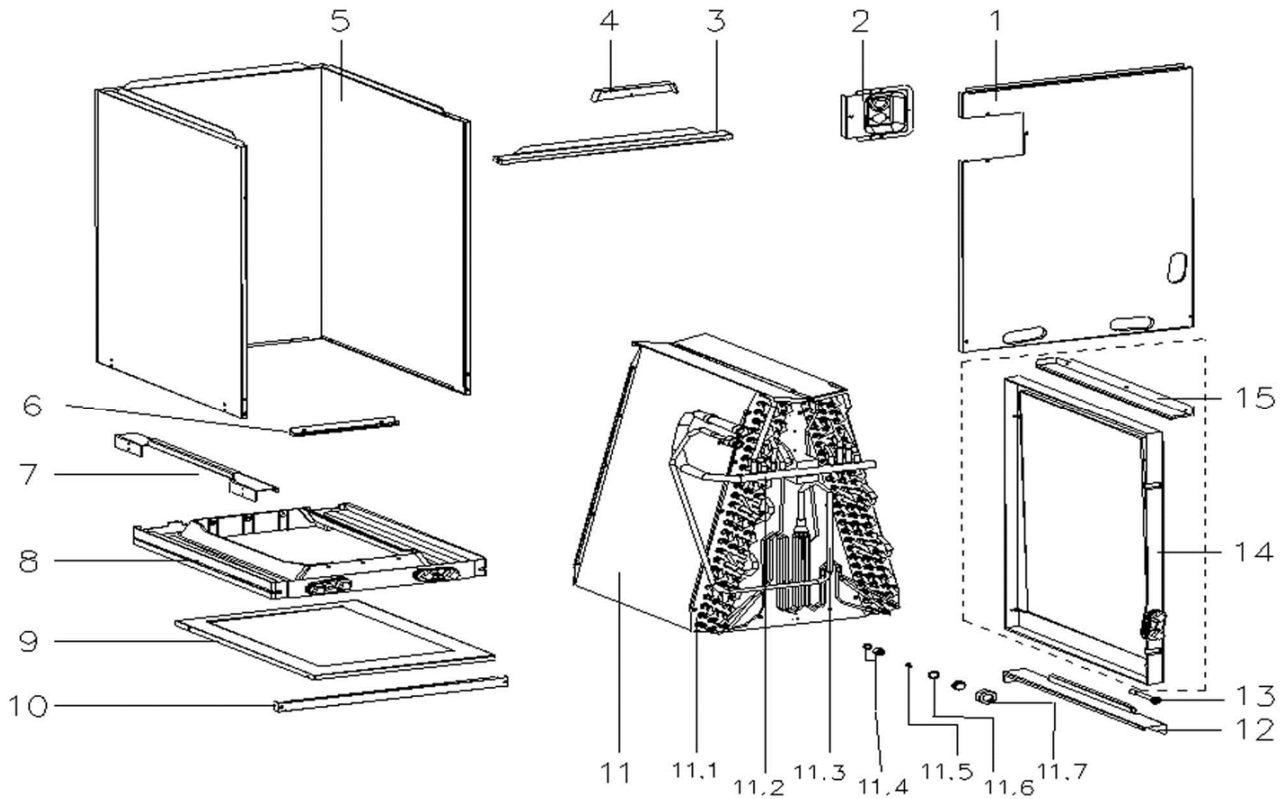


(Midea CAC Exploded view)

MCPM4248CNOH



No.	Part Name	Quantity	BOM Code
1	Side panel assembly	1.0	12223000A02520
2	Cover plate assembly	1.0	12223000007647
3	Top support strip	1.0	12223000005763
4	Fixing board	1.0	12223000001973
5	Base assembly	1.0	12223000005834
6	Drain pan baffle	1.0	12223000001948
7	Drain pan right support board	1.0	12223000002120
8	Drain pan ass'y	1.0	12123000000103
9	Fixing board	1.0	12223000012029
10	Bottom support strip	1.0	12223000005776
11	Evaporator ass'y	1.0	15823000006465
11.1	Evaporator	2.0	15823000006470
11.2	Evaporator output pipe assembl	1.0	15223000000472
11.3	Evaporator input pipe assembly	1.0	15423000005786
11.4	Throttle	1.0	15500210000968
11.5	Valve plug	1.0	15500220000015
11.6	Sealing ring	1.0	12100901000010

11.7	Nut	1.0	15500402000191
12	Drainage pan supporting board	1.0	12223000002115
13	Attachment-flange connection p	1.0	15500302000006
14	Drainage pan assembly	1.0	12123000000113
15	Drain pan fixing block	1.0	12223000002117