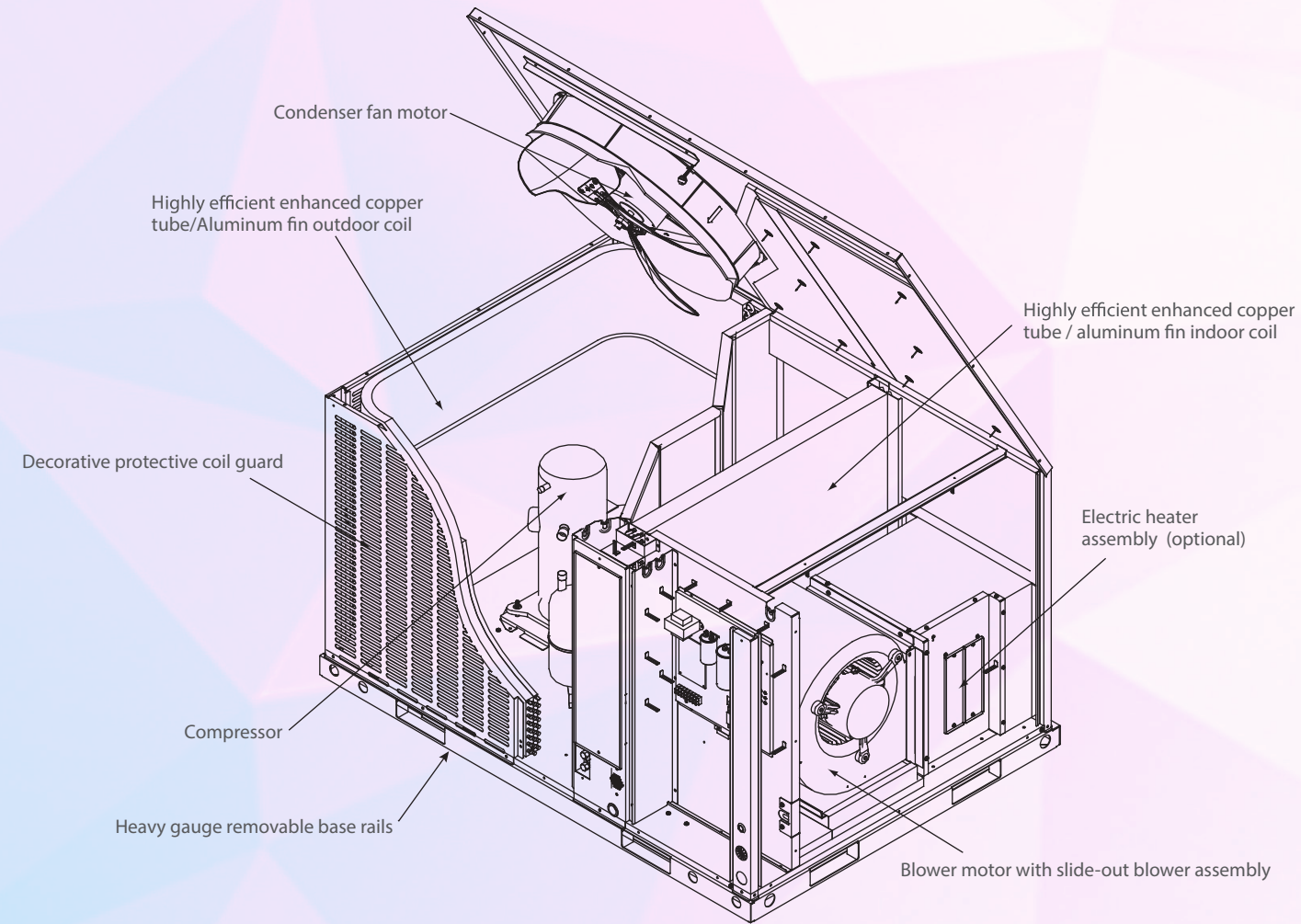


## Component Location



# MRC-M134H Series Heat Pump Package Units

2 TO 5 TON  
13.4 SEER2

*HORIZONTAL DISCHARGE*

## Features

- ❖ Quiet horizontal discharge.
- ❖ Power-painted galvanized steel cabinet.
- ❖ Electric heat kit available as a field-installed option: 5/8/10/15/20kW.
- ❖ High-efficiency compressors operate smoothly, quietly, consistently.
- ❖ Internal safeguards protect compressor against high and low pressure, coil temperature.
- ❖ Copper tube/aluminum fin coil.
- ❖ High efficiency ECM blower motor(not all models).
- ❖ AHRI Certified and ETL Listed.



Model	MRC-24HWN1-M134G	MRC-30HWN1-M134G	MRC-36HWN1-M134L	MRC-42HWN1-M134L	MRC-48HWN1-M134L	MRC-60HWN1-M134L
<b>UNIT DIMENSION AND WEIGHTS</b>						
Height (in.)	24-13/16	24-13/16	24-13/16	33-3/16	33-3/16	33-3/16
Width (in.)	52	52	52	28	28	29-1/8
Depth (in.)	38-1/4	38-1/4	38-1/4	42-1/16	42-1/16	42-1/16
Weight (lbs.)	326	346	351	463	463	479

## Midea Building Technologies Division

Add.: Midea Headquarters Building, 6 Midea Avenue, Shunde, Foshan, Guangdong, China

Postal code: 528311

mbt.midea.com / global.midea.com / tsp.midea.com

Note: Product specifications change from time to time as product improvements and developments are released and may vary from those in this document.



Here's an ideal combination of energy efficiency and easy service



### Single Phase 13.4 SEER2 Horizontal Discharge



### 13.4 SEER2 HP Package Units-Specifications

Model	MRC-24HWN1-M134G	MRC-30HWN1-M134G	MRC-36HWN1-M134L	MRC-42HWN1-M134L	MRC-48HWN1-M134L	MRC-60HWN1-M134L
<b>NOMINAL CAPACITY</b>						
Cooling (BTU/h)	24,000	30,000	36,000	42,000	48,000	60,000
Heating (BTU/h)	/	/	/	/	/	/
<b>ELECTRICAL DATA</b>						
Voltage / Phase (60 Hz)	208/230 / 1	208/230 / 1	208/230 / 1	208/230 / 1	208/230 / 1	208/230 / 1
Min. / Max. Voltage	187/253	187/253	187/253	187/253	187/253	187/253
MCA	15	18	22.6	24.2	26.8	34.9
MOP	20	25	35	35	40	55
<b>COMPRESSOR</b>						
Type	Rotary	Rotary	Scroll	Scroll	Scroll	Scroll
Stage	Single	Single	Single	Single	Single	Single
RLA	9.2	10.2	13.0	15.2	17.3	21.5
LRA	43.0	58.0	75.0	112.3	108.0	127.9
<b>OUTDOOR COIL</b>						
Type	Tube & Fin	Tube & Fin	Tube & Fin	Tube & Fin	Tube & Fin	Tube & Fin
Tube Size(O.D)	9/32	9/32	3/16	3/16	3/16	9/32
<b>OUTDOOR FAN MOTOR</b>						
Motor Type	ECM	ECM	ECM	ECM	ECM	ECM
Capacitor(uF)	/	/	/	/	/	/
Horsepower (HP)	1/4	1/4	1/4	1/4	1/4	1/4
Full Load Amps (FLA)	1.0	2.0	2.0	2.0	2.0	2.0
Rated RPM	800	980	980	980	980	980
<b>INDOOR COIL</b>						
Type	Tube & Fin	Tube & Fin	Tube & Fin	Tube & Fin	Tube & Fin	Tube & Fin
Tube Size(O.D)	9/32	9/32	9/32	9/32	9/32	9/32
<b>INDOOR BLOWER MOTOR</b>						
Motor Type	PSC	ECM	ECM	PSC	PSC	ECM
Capacitor(uF)	12	/	/	/	/	/
Horsepower (HP)	1/4	1/2	1/2	3/4	3/4	3/4
Full Load Amps (FLA)	2.5	3.2	4.3	2.9	2.9	6.0
Rated RPM	1050	1050	1050	1050	1050	1050
<b>REFRIGERATION SYSTEM</b>						
Refrigerant Control	Orifice	Orifice	Orifice	Orifice	Orifice	Orifice
Refrigerant Charge (lbs. - oz.)	5-13	5-12	4-13	6-10	6-10	9-4
<b>OPERATION RANGE</b>						
Cooling(°F)	55-115	55-115	55-115	55-115	55-115	55-115
Heating(°F)	5-86	5-86	5-86	5-86	5-86	5-86
<b>SOUND POWER (DB)</b>						
	80	81	81	80	80	80